

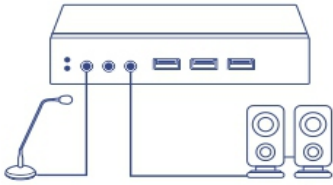


DVI KVM Extension Kit with Audio Support

TK-DEX5 (v1.0R)

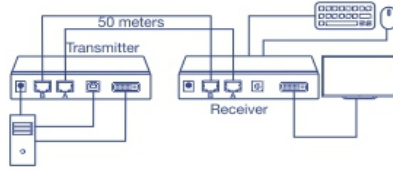
- Extend KVM controls for distances of up to 50m (164 ft.)
- Connect a TRENDnet KVM switch to manage multiple servers
- Uses Cat5e cables to connect the local and remote units
- Features EDID technology that allows transmission over Cat5e cable
- Superior video quality – up to 1920x1200 (40m); 1080p (40m); 1080i (50m)
- USB keyboard and mouse ports
- USB device port
- Stereo Audio

TRENDnet's DVI KVM Extension Kit with Audio Support, model TK-DEX5, extends USB keyboard, mouse, and DVI video at distances up to 50m (164 ft.) using a Cat5e cabling. No software installation required—simply connect the transmitter and receiver for full KVM controls. Eliminate the time it takes to walk to the networking room by extending KVM controls to your workstation.



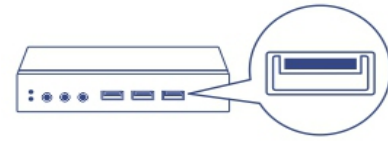
Audio Support

3.5mm audio jacks for speaker and microphone connections.



KVM Extender

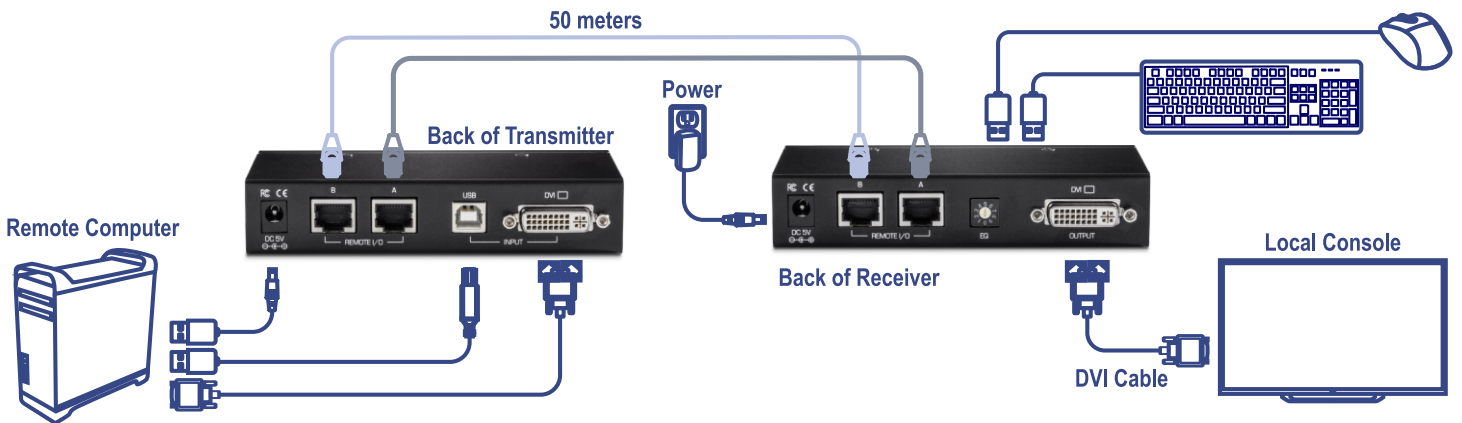
Extends a USB mouse, keyboard, and high definition DVI display up to 50 meters from a workstation or KVM switch.



USB Port

Convenient USB 2.0 port allows you to extend a USB storage device up to 50 meters away.

Networking Solution



Easy Installation

Simply connect the transmitter and receiver together via Cat5e cabling for full KVM management



Audio Support

3.5mm audio jacks for speaker and microphone connections.



Multiple Server Access

Connect to a KVM switch for multiple server access



KVM Extender

Extends a USB mouse, keyboard, and high definition DVI display up to 50 meters from a workstation or KVM switch.



USB Port

Convenient USB 2.0 port allows you to extend a USB storage device up to 50 meters away.

Specifications

Transmitter	<ul style="list-style-type: none"> • Monitor: DVI • Mouse/Keyboard: USB type B (cable included) • Extension: Ethernet ports • Power port • LED indicators
Receiver	<ul style="list-style-type: none"> • Monitor: DVI • Mouse: USB Type A • Keyboard: USB Type A • Audio: Microphone, speaker and line in jacks • EQ: Equalizer dial • Extension: Ethernet ports • Power port • LED indicators
Computer Connections	<ul style="list-style-type: none"> • Transmitter: DVI and USB Type B port • Receiver: DVI and USB Type A ports
Monitor Resolution	• Up to 1920 x 1200
Special Features	• Extend KVM controls up to 50m (164 ft.) @ 1080i resolution
Operating Temperature	• 0° – 40° C (32° – 104° F)

Operating Humidity	• Max. 90% non-condensing
Power	<ul style="list-style-type: none"> • Input: 100 – 240 V AC, 50/60Hz, 1A • Output: 5V DC, 2.4A • Max. consumption: Transmitter: 2.7W, Receiver: 4.7W
Dimensions	• 130 x 65 x 25mm (5.1 x 2.6 x 1.0 in.) per unit
Weight	<ul style="list-style-type: none"> • Transmitter: 270g (9.5 oz.) • Receiver: 280g (9.9 oz.)
Warranty	• 2 year
Certifications	<ul style="list-style-type: none"> • CE • FCC

PACKAGE CONTENTS

- TK-DEX5
- Quick Installation Guide
- 1 DVI cable (1m/ 3.3 ft.)
- 1 USB Type A to B cable (1.2m/ 4 ft.)
- 1 USB power cable
- Power Adapter (5 VDC, 2.4A)