



TW100-S4W1CA **DSL/Cable Broadband Router with 4-Port Switch**

TRENDnet's TW100-S4W1CA 4-port Cable/DSL Modem Internet Station provides the easiest and securest way to share your high-speed Cable/xDSL Internet connection. It has four 10/100Mbps half/full duplex switch ports that directly connect to workstations or uplink to another hub or switch. The TW100-S4W1CA also functions as a firewall for your PC, protecting your computer from hackers. It allows up to 253 users to access the Internet using a single ISP account. By sharing just one TW100-S4W1CA, one IP address, and one Cable/xDSL modem, dozens of network users can surf the Internet simultaneously. TREND-net's Cable/DSL Modem Internet Station is a feature-rich product that provides cost-effective functionality and an easy configuration.

(Version F1)



FEATURES

- ... Supports Cable/DSL Modem with Dynamic IP, Fixed IP, PPPoE or PPTP Connection Types
- ... Compliant with Windows 95/98/NT/2000/XP, Linux and Mac OS
- ... Provides NAT (Network Address Port Translation) Firewall
- ... Supports Virtual Servers (Port Forwarding) and DMZ
- ... Supports Client Filtering by Date/Time (10 Entries) and Special Applications Filter (10 Entries)
- ... Supports MAC Address Control to Allow or Deny Access (32 Entries)
- ... Supports DNS (Domain Name System) Account for Server Mapping and Dynamic DNS Service
- ... Supports VPN Pass-Through (IPSec, PPTP) and Static Route Feature
- ... Supports UPnP (Universal Plug & Play)
- ... Built-in 4-Port 10/100Mbps Auto-MDIX Switch
- ... DHCP Server Supports up to 253 Users
- ... Easy Web Browser Configuration and Remote Management
- ... Flash Memory for Firmware Upgrade and Save/Restore Router Configurations
- ... 5 Year Warranty

BENEFITS

- ... **Easy Integration:**
Built-in 4-port 10/100Mbps Switch, you can integrate this device to any Ethernet/Fast Ethernet Network.
- ... **Cost-Effectiveness:**
Saves router costs and on-line charges.
- ... **Security:**
Added firewall protection keeps hackers out.
- ... **Performance:**
Up to 80Mbps throughput between Internet (WAN) and local area network (LAN).



TW100-S4W1CA

DSL/Cable Broadband Router with 4-Port Switch

SPECIFICATIONS

Standards:

- IEEE 802.3 10Base-T, IEEE 802.3u 100Base-TX, ANSI/IEEE 802.3 Auto-Negotiation

Protocols:

- TCP/IP, NAT, PPPoE, UPnP, HTTP, DHCP Server/Client, SNTP

Protocol / Topology:

- (CSMA/CD) / Star

Connection Type:

- Dynamic IP, Static (Fixed) IP, PPPoE, PPTP

Firewall:

- NAT

Management:

- Web Browser Configuration & Remote Management

WAN:

- 1 x 10/100Mbps Port (Internet)

LAN:

- 4 x 10/100Mbps Auto-MDIX Ports

Cabling:

- Ethernet: Cat. 3, 4, 5, UTP EIA/ITA-568 100 Ohms, 100meters max.
- Fast Ethernet: Cat. 5, UTP EIA/TIA-568 100 Ohms, 100meters max.

Data Transfer Rate:

- Ethernet : 10Mbps/20Mbps (Half-Duplex/Full-Duplex)
- Fast Ethernet: 100Mbps/200Mbps (Half-Duplex/Full-Duplex)

LEDs:

- Power, System, WAN: Link/ACT 100M, LAN: Link/ACT 100M

Power Adapter:

- 7.5V DC, 1A

Power Consumption:

- 7watts. (Max)

Dimensions (LxWxH):

- 165 x 114 x 44mm (6.5 x 4.5 x 1.7 inches)

Weight:

- 236g (0.52 lb)

Temperature:

- Operating: 0° ~ 40° C (32° ~ 104° F)
- Storage: -10° ~ 70° C (14° ~ 158° F)

Humidity:

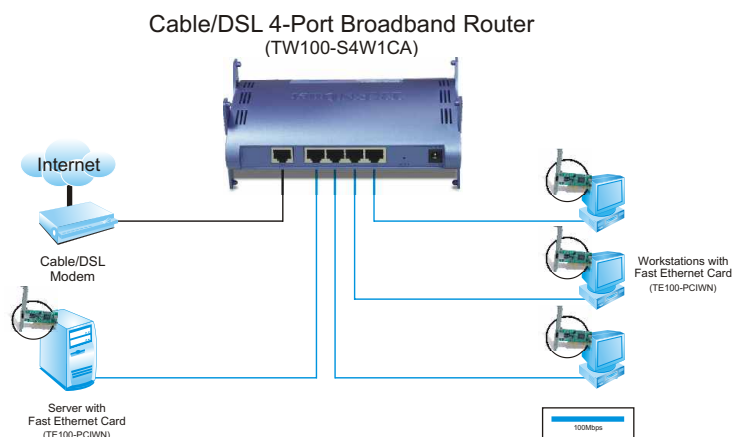
- Operating: 10 ~ 90% RH
- Storage: 5% ~ 90% RH (Non-Condensing)

Certifications:

- FCC, CE



NETWORKING SOLUTIONS



To Order Please Call:
1-888-326-6061

RELATED PRODUCT

- **TW100-S4W1CA:**
4-Port Broadband DSL/Cable Modem Internet Router
- **TW100-BRF114:**
Cable/DSL 4-Port Firewall Router
- **TW100-BRV304:**
Cable/DSL 4-Port Advanced VPN Firewall Router

ORDERING INFORMATION

TRENDware International, Inc.
3135 Kashiwa Street
Torrance, CA. 90505. USA
Tel: 310-891-1100
Fax: 310-891-1111
Web: www.TRENDNET.com
Email: sales@trendware.com

TRENDnet
TRENDware, USA