



DSL/Cable Broadband Router with 4-Port Switch

TW100-S4W1CA

TRENDnet's TW100-S4W1CA 4-port Cable/DSL Modem Internet Station provides the easiest and securest way to share your high-speed Cable/xDSL Internet connection. It has four 10/100Mbps half/full duplex switch ports that directly connect to workstations or uplink to another hub or switch. The TW100-S4W1CA also functions as a firewall for your PC, protecting your computer from hackers. It allows up to 253 users to access the Internet using a single ISP account. By sharing just one TW100-S4W1CA, one IP address, and one Cable/xDSL modem, dozens of network users can surf the Internet simultaneously. TREND-net's Cable/DSL Modem Internet Station is a feature-rich product that provides cost-effective functionality and an easy configuration.

FEATURES

- Supports Cable/DSL Modem with Dynamic IP, Fixed IP, PPPoE or PPTP Connection Types
- Compliant with Windows 95/98/NT/2000/XP, Linux and Mac OS
- Provides NAT (Network Address Port Translation) Firewall
- Supports Virtual Servers (Port Forwarding) and DMZ
- Supports Client Filtering by Date/Time (10 Entries) and Special Applications Filter (10 Entries)
- Supports MAC Address Control to Allow or Deny Access (32 Entries)
- Supports DNS (Domain Name System) Account for Server Mapping and Dynamic DNS Service
- Supports VPN Pass-Through (IPSec, PPTP) and Static Route Feature
- Supports UPnP (Universal Plug & Play)
- Built-in 4-Port 10/100Mbps Auto-MDIX Switch
- DHCP Server Supports up to 253 Users
- Easy Web Browser Configuration and Remote Management
- Flash Memory for Firmware Upgrade and Save/Restore Router Configurations
- 5 Year Warranty

BENEFITS

Easy Integration:

Built-in 4-port 10/100Mbps Switch, you can integrate this device to any Ethernet/Fast Ethernet Network.

Cost-Effectiveness:

Saves router costs and on-line charges.

Security:

Added firewall protection keeps hackers out.

Performance:

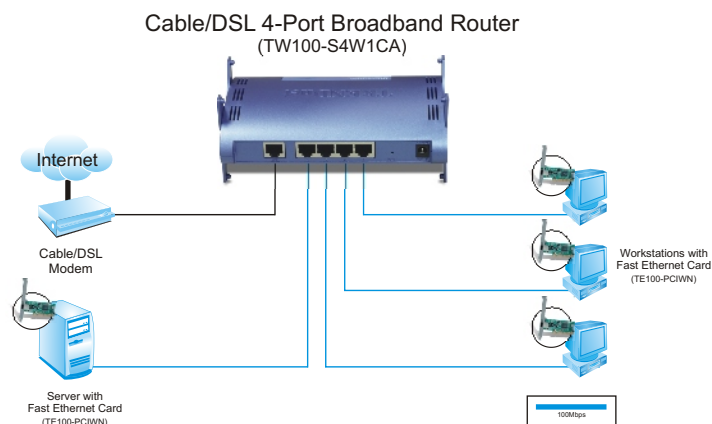
Up to 80Mbps throughput between Internet (WAN) and local area network (LAN).

DSL/Cable Broadband Router with 4-Port Switch TW100-S4W1CA

SPECIFICATIONS

Hardware	
Standards	• IEEE 802.3 10Base-T, IEEE 802.3u 100Base-TX, ANSI/IEEE 802.3 Auto-Negotiation
Protocols	• TCP/IP, NAT, PPPoE, UPnP, HTTP, DHCP Server/Client, SNMP
Protocol / Topology	• (CSMA/CD) / Star
Connection Type	• Dynamic IP, Static (Fixed) IP, PPPoE, PPTP
Firewall	• NAT
Management	• Web Browser Configuration & Remote Management
WAN	• 1 x 10/100Mbps Port (Internet)
LAN	• 4 x 10/100Mbps Auto-MDIX Ports
Cabling	• Ethernet: Cat. 3, 4, 5, UTP EIA/ITA-568 100 Ohms, 100meters max. • Fast Ethernet: Cat. 5, UTP EIA/TIA-568 100 Ohms, 100meters max.
Data Transfer Rate	• Ethernet : 10Mbps/20Mbps (Half-Duplex/Full-Duplex) • Fast Ethernet: 100Mbps/200Mbps (Half-Duplex/Full-Duplex)
LEDs	• Power, System, WAN: Link/ACT 100M, LAN: Link/ACT 100M
Power Consumption	• 7watts. (max)
Dimensions	• 165 x 114 x 44mm (6.5 x 4.5 x 1.7 inches)
Weight	• 236g (0.52 lb)
Temperature	• Operating: 0° ~ 40°C (32°~ 104°F) ; Storage: -10°~ 70°C (14°~ 158°F)
Humidity	• Operating: 10% ~ 90% RH ; Storage: 5% ~ 90% RH (Non-Condensing)
Power Adapter	• 7.5V DC, 1A
Certifications	• FCC & CE

NETWORKING SOLUTIONS



RELATED PRODUCTS

TW100-BRF114	Cable/DSL 4-Port Firewall Router
TW100-BRV304	Cable/DSL Advanced VPN Firewall Router

ORDERING INFORMATION

TRENDnet

3135 Kashiwa Street, Torrance, CA 90505 USA
Tel: 1-310-891-1100
Fax: 1-310-891-1111
Web: www.trendnet.com
Email: sales@trendnet.com

To Order Please Call:

1-888-326-6061

