



TV-HW400 Wall Mount
TV-HN400 Corner Mount
TV-HP400 Pole Mount
TV-HC400 Ceiling Mount

1. Before You Start

Package Contents

TV-HW400 Wall Mount

- Quick Installation Guide
- Wall mount bracket
- Mounting accessories

TV-HN400 Corner Mount

- Quick Installation Guide
- Wall mount bracket
- Corner adapter
- Mounting accessories

TV-HP400 Pole Mount

- Quick Installation Guide
- Wall mount bracket
- Pole adapter
- Pole mount hoops
- Mounting accessories

TV-HC400 Ceiling Mount

- Quick Installation Guide
- Ceiling mount bracket
- Mounting accessories

Note:

- For masonry walls, the included expansion screws must be used to secure the wall mount.
- For wood/metal stud walls, self-tapping screws (not included) can be used to secure the wall mount without the use of expansion screws.
- Masonry walls must be thick enough to install expansion screws.
- Ensure that the wall is strong enough to withstand more than 8 times the weight of the IP camera and the mount.

2. TV-HW400 Wall Mount

Components

Wall Mount Bracket



Mounting Accessories

5 expansion screws with nuts and washers



Mounting

1. Place the arm bracket at mounting location and use it to mark screw hole locations.
2. Mark Ethernet cable hole location.

Optional: The Ethernet cable (and other cables) can be run through the indentation at the bottom of the mounting bracket. For this installation, there is no need to mark an Ethernet cable hole.

3. Drill screw holes in the wall according to the holes of the mount and a hole for cables (optional), and then insert expansion screws into the mounting holes.

4. Pass Ethernet cable through the wall or through the indentation on the bottom of the mount. Leave enough slack so that the cable can pass through the bracket. If you passed cables through the wall, seal the hole with exterior grade caulking.
5. Mount bracket to the wall by aligning the 4 screw holes of the mount with the expansion screws on the wall.
6. Secure the wall mount with 4 hex nuts and washers.



7. Install the speed dome to the mount. Please refer to Section 6 camera installation details.



3. TV-HN400 Corner Mount

Note: Corner mounting is applicable to indoor/outdoor 90° corners with solid construction.

Components

Wall Mount



Corner Adapter

The corner adapter must be used together with the wall mount for corner mounting applications.



Mounting Accessories

5 pan head screws and 5 expansion screws with nuts and washers.



Mounting

1. Install the corner adapter.
2. Place the corner adapter at mounting location and use it to mark screw hole locations.
3. Mark Ethernet cable hole location (optional).
4. Drill screw holes in the wall according to the holes of the mount and a hole for cables (optional), and then insert expansion screws into the mounting holes.
5. Pull the cables through the center hole of the corner adapter. Leave enough slack so that the cable can pass through the bracket. If you passed cables through the wall, seal the hole with exterior grade caulking.
6. Attach the corner adapter to the corner by aligning the 4 screw holes of the corner adapter with the expansion screws on the corner.
7. Secure the corner adapter to the corner with nuts and washers to tighten the four expansion screws.



Note: For outdoor applications, please waterproof tape around the center hole for waterproofing.
water

8. Secure the wall mount to the corner adapter with 4 hex screws and spring washers.

Nuts and Washers



Note: When tightening the screws, it is better to compress the spring washer firmly and then rotate it 180° to waterproof it without damaging the threads.

9. Install the dome to the mount. Please refer to Section 6 for camera installation details.

4. TV-HP400 Pole Mount

Components

Wall Mount



Pole Adapter

The pole adapter must be used together with the wall mount for pole mounting applications.



Pole Mounting Hoops

Pole mounting hoops are used for securing the pole mount adapter to the pole.



Mounting Accessories

5 pan head screws and spring washers.



Mounting

1. Loosen the three pole mounting hoops with a flathead screwdriver.
2. Loop the hoops through the rectangular holes on the pole adapter.

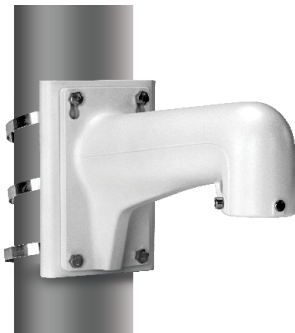


3. Pull cables through the center hole. Leave enough slack so that the cable can pass through the bracket.
4. Secure the three pole mounting hoops to the pole (5 in. or 127mm max. pole diameter), and tighten the screws of the hoops with a flathead screwdriver.



Note: For outdoor applications, please use proper waterproofing measures.

5. Install the wall mount arm by securing the wall mount arm to the pole adapter with 4 hex screws and spring washers.



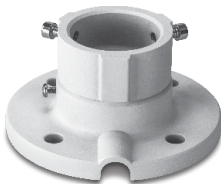
6. Install the speed dome to the mount. Please refer to Section 6 for camera installation details.



5. TV-HC400 Ceiling Mount

Components

Ceiling Mount



Mounting Accessories

5 expansion screws with nuts and washers.



Mounting

1. Place the ceiling mount at mounting location and use it to mark screw hole locations.
2. Mark Ethernet cable hole location (optional).
Optional: The Ethernet cable (and other cables) can be run through the hole in the corner adapter. For this installation, there is no need to mark an Ethernet cable hole.
3. Drill holes in the ceiling according to the screw holes of the mounting base, and then insert expansion screws into the holes (masonry construction only).
4. Pull cables through the cable hole of the mounting base. Leave enough slack so that the cable can pass through the bracket. If you passed cables through the wall, seal the hole with exterior grade caulking.

5. Attach the mounting base to the ceiling by aligning the screw holes of the mounting base with the expansion screws on the ceiling.
6. Secure the mounting base by using nuts and washers to tighten the four expansion screws.



Note: For outdoor applications, please apply waterproof tape between the ceiling surface and mounting base and around the cable hole. Ceiling mounting is not recommended for locations with direct exposure to the elements.



7. Install the speed dome to the mount. Please refer to Section 6 for camera installation details.

6. Camera Installation

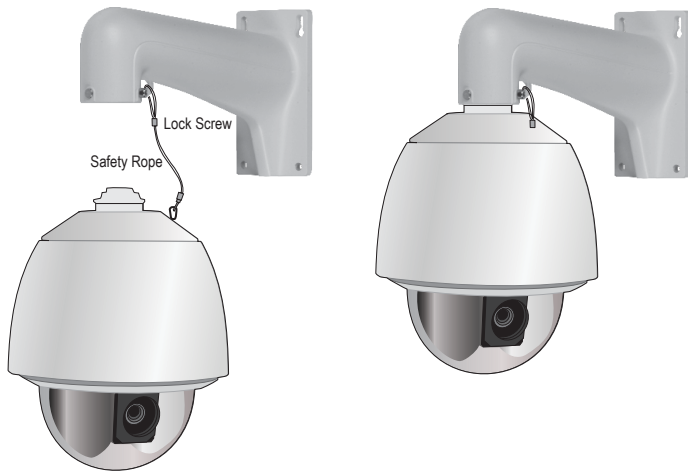
Before you start:

- Do not hold the waterproof cables as shown in the picture below, otherwise the waterproof performance will be affected.
- Check the camera package contents and make sure that the device in the package is in good condition and all the assembly parts are included.
- Make sure the Ethernet cable doesn't have live PoE power during camera installation.

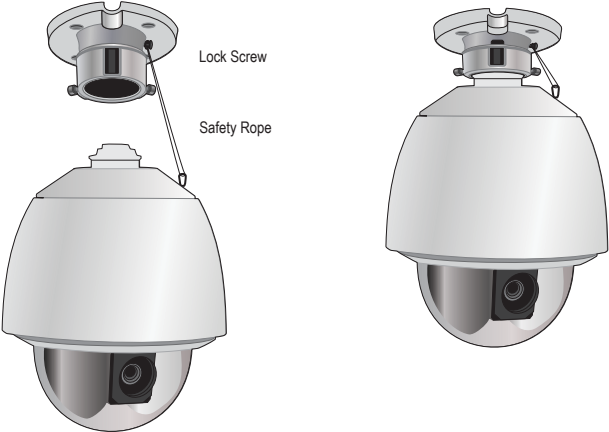


Installation for TV-HW400 / TV-HN400 / TV-HP400

1. Remove the protective sticker from the dome drive.
2. Hang the safety tether to the speed dome and then hook to the mount as shown in the figure below.
3. Connect Ethernet cables (and others, if applicable).
4. Apply water resistant tape to Ethernet connection terminal.
5. Route the cables of the speed dome into the mount bracket.
6. Loosen the two lock screws on the mount bracket.
7. Install the speed dome to the mount.
8. Fasten the two lock screws with the provided Hex key.
9. Power the connected PoE ethernet cable.



TV-HC400 Installation



Limited Warranty

TRENDnet warrants its products against defects in material and workmanship, under normal use and service, for the following length of time from the date of purchase. Warranty: 1 year limited warranty (When Applicable: 1 year warranty for power adapter, power supply, and cooling fan components.) Visit TRENDnet.com to review the full warranty policy, rights, and restrictions for this product.

Garantie Limitée

TRENDnet garantit ses produits contre les défauts matériels et de fabrication, dans des conditions normales d'utilisation et de service, pour les durées suivantes, à compter de la date de leur achat. Limitée: 1 ans de garantie limitée (Si applicable: 1 an de garantie sur l'adaptateur secteur, l'alimentation en énergie et les composants du ventilateur de refroidissement.) Visitez TRENDnet.com pour lire la politique complète de garantie, les droits et les restrictions s'appliquant à ce produit.

Begrenzte Garantie

TRENDnet garantiert, dass seine Produkte bei normaler Benutzung und Wartung während der nachfolgend genannten Zeit ab dem Kaufdatum keine Material- und Verarbeitungsschäden aufweisen. Garantie: 1-Jahres-Garantie (Soweit zutreffend: 1 Jahr Garantie für Netzteil, Stromkabel und Ventilator.) Alle Garantiebedingungen, Rechte und Einschränkungen für dieses Produkt finden Sie auf TRENDnet.com.

Garantía Limitada

TRENDnet garantiza sus productos contra defectos en los materiales y mano de obra, bajo uso y servicio normales, durante el siguiente periodo de tiempo a partir de la fecha de compra. Garantía: 1 años (Cuando proceda: 1 año de garantía para componentes de adaptadores de corriente, fuente de alimentación y ventiladores de refrigeración.) Visite TRENDnet.com para revisar la política de garantía, derechos y restricciones para este producto.

Ограниченная гарантия

Гарантия компании TRENDnet распространяется на дефекты, возникшие по вине производителя при соблюдении условий эксплуатации и обслуживания в течение установленного периода с момента приобретения (Продукт: Ограниченная гарантия: одногодичный ограниченная гарантия (Распространяется: На протяжении 1 года на силовые адаптеры, источники питания и компоненты вентилятора охлаждения. Полную версию гарантийных обязательств, а также права пользователя и ограничения при эксплуатации данного продукта смотрите на вебсайте www.trendnetrussia.py)

Garantia Limitada

TRENDnet garante seus produtos contra defeitos em material e mão de obra, sob condições normais de uso e serviço, pelo seguinte tempo a partir da data da compra. Garantia: Garantia limitada de 1 anos. (Quando aplicável: 1 ano de garantia para adaptador de tensão, fonte e componentes de ventoinhas). Visite TRENDnet.com para conhecer a política de garantia completa, direitos e restrições para este produto.)

Piiratud garantii

TRENDneti tavatingimustes kasutatavatel ja hooldatavatel toodetel on järgmise ajavahemiku jooksul (alates ostukuupäevast) tootmis-ja materjalidefektide garantii. garantii: 1-aastane piiratud garantii. (Garantii kohaldatakse: toiteadapteri, toiteallika ja jahutusventilaatori osadel on 1-aastane garantii.) Täisgarantii põhimõtete, õiguste ja piirangute kohta leiate lisateavet saidilt TRENDnet.com.

Technical Support

If you have any questions regarding the product installation, please contact our Technical Support.

Toll free US/Canada: 1-866-845-3673

Regional phone numbers available
at www.trendnet.com/support

Product Warranty Registration

Please take a moment to register your product online. Go to TRENDnet's website at:
<http://www.trendnet.com/register>

TRENDnet

20675 Manhattan Place, Torrance, CA 90501. USA

Copyright © 2014. All Rights Reserved. TRENDnet.
