



Quick Installation Guide



TV-H100
H/W: V1

Table of Contents

English	1
1. Before You Start	1
2. Hardware Installation	2
Troubleshooting	11

1. Before you start



Package Contents

- TV-H100
- Quick Installation Guide
- Mounting Bracket
- Hexagon screwdriver (1/4" L=6mm)
- Screws, washers and wall mount screws

Installation Requirements

The following items below are not included. Users must provide the items themselves. Make sure to have each item on hand before installation.

- Internet Camera Server (e.g. TV-IP110, TV-IP110W, TV-IP212, TV-IP212W, TV-IP312, TV-IP312W)
- Dry Wall or Wood surface
- Power Cord
- Wire Stripper
- Phillips Screwdriver
- Pliers
- Electrical Tape
- RJ-45 cable (For Wired Internet Camera Server)
- RJ-45 connector (For Wired Internet Camera Server)
- TEW-ASAK (For Wireless Internet Camera Server)
- TEW-L406 or TEW-L412 (For Wireless Internet Camera Server)
- Outdoor Antenna (e.g. TEW-AO14D) (For Wireless Internet Camera Server)

*Note: You must know how to terminate a network cable with an RJ-45 connector in order to install a wired internet camera server into the TV-H100. If you do not know how to terminate a network cable with an RJ-45 connector, please consult a network professional.

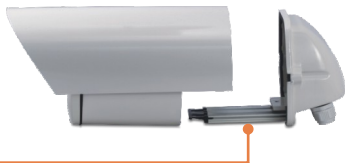
2. Hardware Installation

Note: Configure your Internet Camera Server to match your network before installing the device.

1. Remove the screws from the back of the camera enclosure. Save these screws. You will need to use these screws later.



2. Slide out the back end of the enclosure.



3. Unscrew the metal bracket from the TV-H100. Save this screw and washer. You will need to use this screw and washer later.



4. Use the following screw to mount the Internet Camera Server to the metal bracket.



5. Screw the metal bracket back in to the TV-H100.



6. Connect the IR shelter to the Internet Camera Server (TV-IP312 and TV-IP312W only).



7. Take the Internet Camera Server's power adapter and cut about 4 inches from the end the power connector using the wire cutter.
Note: This is the AC/DC adapter that is included with your Internet Camera Server.



8. Take a knife or box cutter and cut along the middle to split the cable into two strands.



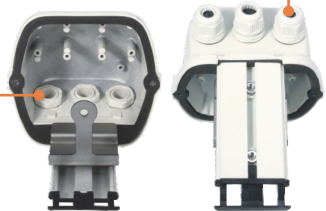
9. Use a wire stripper to remove the insulation to expose the copper wiring.



10. Run the power adapter and RJ-45 Ethernet cable from the base to the top of the mounting arm. Make sure to leave one end of the RJ-45 Ethernet cable unterminated.



11. Remove one of the caps from the enclosure.

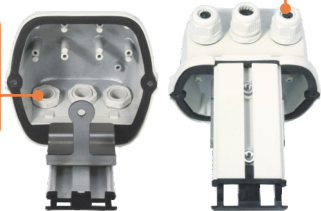


12. Insert the unterminated end of the cable through the cap.

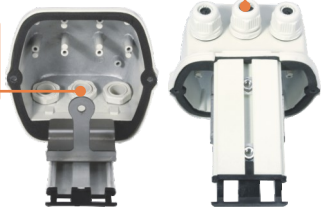


13. Terminate the Ethernet cable.

14. Insert the Ethernet cable through the cable access hole. Then screw in the cap securely.



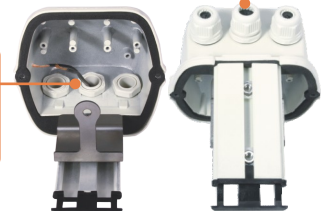
15. Remove one of the caps from the enclosure.



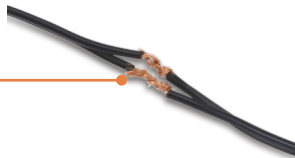
16. Insert the power adapter through the cap.



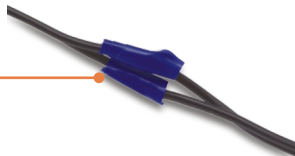
17. Insert the power adapter through the cable access hole. Then screw in the cap securely.



18. Connect the two ends of the power adapter back by twisting the copper wiring. Make sure you do not cross the copper wires.



19. Use electrical tape to seal the cables back together. Make sure to seal the individual strands separately.



20. Connect the Ethernet cable to the Internet Camera Server.



21. Connect the power adapter to the Internet Camera Server.



22. Slide the back end of the enclosure back in.



Installing External Antenna to Wireless Internet Camera

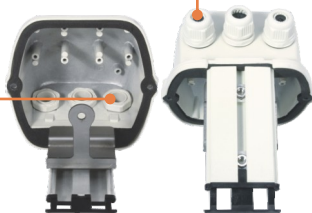
1. Remove the antenna from the back of your wireless Internet Camera Server.



2. Run the pigtail cable that comes with the TEW-ASAK from the base to the top of the mounting arm.



3. Remove one of the caps from the enclosure.



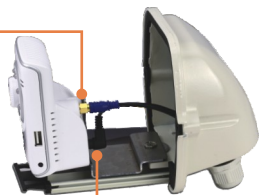
4. Insert the pigtail cable that comes with the TEW-ASAK through the cap.



5. Insert the pigtail cable that comes with the TEW-ASAK through the cable access hole. Then screw in the cap securely.



6. Connect the pigtail cable that comes with the TEW-ASAK and the power adapter to the Internet Camera Server.



7. Slide the back end of the enclosure back in.



8. Follow the directions in the QIG for the TEW-ASAK to connect the surge arrester to your outdoor antenna (e.g. TEW-AO14D).

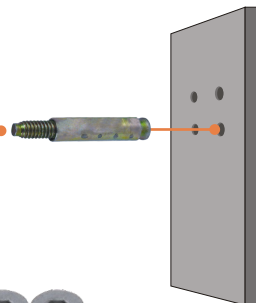
Mounting the Camera Housing

1. Place the mounting bracket against the wall and mark each of the four holes with a pencil.

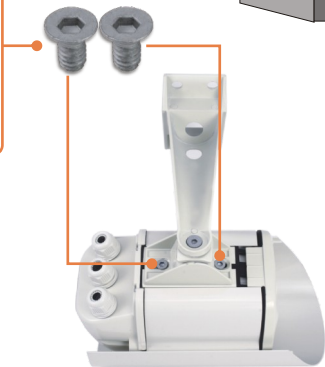


2. Drill holes for the screws at each marked position. Make sure the drill bit matches the size of the provided white screws.

3. Insert the screws into the holes.



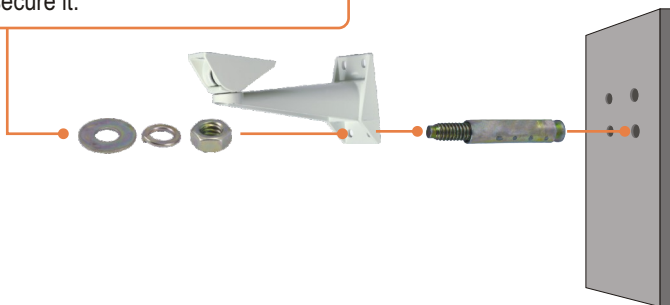
4. Use the bracket screws to mount the mounting bracket to the TV-H100. Use the provided Hex screwdriver to secure the mounting bracket.



5. Adjust the mounting bracket to the desired position. Then use the provided Hex screwdriver and turn it clockwise to secure position.



6. Align the Wall Mount bracket with the screws, and then use the provided nuts and washers to secure it.



Your installation is now complete.

For detailed information regarding the TV-H100 configuration and advanced settings, please refer to the User's Guide included on the Utility & Driver CD-ROM or TRENDnet's website at www.trendnet.com

Register Your Product

To ensure the highest level of customer service and support, please take a moment to register your product Online at: www.trendnet.com/register
Thank you for choosing TRENDnet

Q1: After I put my Internet Camera Server in the enclosure, the image is distorted. What should I do?

A1: First, make sure that you have adjusted the focus on your camera. Second, mount the TV-H100 so that it's not in direct view of the sun. Third, if you are using a day/night camera with auto iris lens, make sure to push the camera all the way to the front so that the IR shelter is touching the glass.

Q2: My Ethernet cable will not fit through the cap. What should I do?

A2: You must first run the Ethernet cable unterminated. Once the Ethernet cable is run through the cap and the cable access hole, then terminate the Ethernet cable with an RJ-45 jack.

Q3: My antenna cable will not fit through the cap. What should I do?

A3: You must use the TEW-ASAK with the TEW-L406/L412. See Installing External Antenna to Wireless Internet Camera in section 2 for more instructions.

If you still encounter problems or have any questions regarding the **TV-H100**, please contact TRENDnet's Technical Support Department.

Waste electrical and electronic products must not be disposed of with household waste. Please recycle where facilities exist. Check with you Local Authority or Retailer for recycling advice.



NOTE: THE MANUFACTURER IS NOT RESPONSIBLE FOR ANY RADIO OR TV INTERFERENCE CAUSED BY UNAUTHORIZED MODIFICATIONS TO THIS EQUIPMENT. SUCH MODIFICATIONS COULD VOID THE USER'S AUTHORITY TO OPERATE THE EQUIPMENT.

ADVERTENCIA

En todos nuestros equipos se mencionan claramente las características del adaptador de alimentación necesario para su funcionamiento. El uso de un adaptador distinto al mencionado puede producir daños físicos y/o daños al equipo conectado. El adaptador de alimentación debe operar con voltaje y frecuencia de la energía eléctrica domiciliar existente en el país o zona de instalación.



Product Warranty Registration

Please take a moment to register your product online.
Go to TRENDnet's website at <http://www.trendnet.com/register>

TRENDnet[®]
20675 Manhattan Place
Torrance, CA 90501
USA