



Quick Installation Guide



TU2-P2W
H/W: V1.0R

Table of Contents

Français	1
1. Avant de commencer	1
2. Procéder à l'installation	2
3. Fonctionnalités du produit	3
4. Spécifications Techniques	4
Troubleshooting	5

1. Avant de commencer



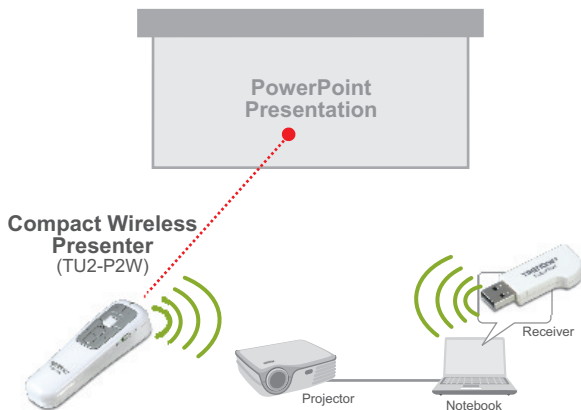
Contenu de l'emballage

- ✎ TU2-P2W(USB Récepteur USB fourni)
- ✎ 2 piles AAA1.2V
- ✎ Guide d'installation rapide

Configuration du système

- ✎ Microprocesseur: 300 MHz ou supérieur / 800 MHz ou supérieur (Windows Vista)
- ✎ Mémoire: 256MB RAM ou supérieur / 512MB RAM ou supérieur (Windows Vista)
- ✎ Un ordinateur avec une port USB 1.1 ou 2.0 disponible
- ✎ Windows 2000/XP(32-/64-bit)/Vista(32-/64-bit)

Application



AVERTISSEMENT : NE DIRIGEZ PAS LE POINTEUR LASER DIRECTEMENT VERS UNE PERSONNE.

2. Procéder à l'installation

1. Branchez le récepteur USB à un port USB disponible de votre ordinateur.



2. Les pilotes s'installeront automatiquement.

3. Introduisez les piles dans le présentateur.

4. Positionnez l'interrupteur sur **On**.

L'installation est maintenant complète.

Si vous désirez des informations détaillées sur la configuration et les paramètres avancés du TU2-P2W, veuillez consulter notre site Internet Trendnet sur <http://www.trendnet.com>.

Enregistrez votre produit

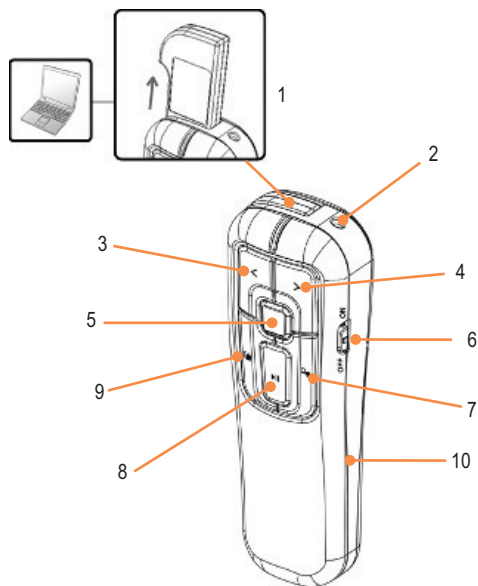
Afin d'être sûr de recevoir le meilleur niveau de service clientèle et le meilleur support possibles, veuillez prendre le temps d'enregistrer votre produit en ligne sur:

www.trendnet.com/register

Nous vous remercions d'avoir choisi Trendnet

3. Fonctionnalités du produit

AVERTISSEMENT: NE DIRIGEZ PAS LE POINTEUR LASER DIRECTEMENT VERS UNE PERSONNE.



Button	Fonctionnalités
1	Prise pour récepteur USB de stockage
2	Rayon laser
3	Diapositive précédente
4	Diapositive suivante
5	Poinqueur laser
6	Interrupteur de mise sous / hors tension
7	Ecran noir
8	Play/Exit Iros du diaporama
9	Alt + Tab
10	Compartiment pour la batterie

4. Spécifications Techniques

Fréquence	2.4GHz
Normes	USB 1.1/2.0
SE supportés	Windows 2000/XP/Vista
Distance maximale	Up to 30m (100 ft)
Power Source	1 AAA (1.2V) batterie fourni
Power Consumption	Présentateur: 1.5V, 1.2mA Présentateur avec pointeur laser: 3V, 27mA Récepteur: 5V, 30mA Pointeur laser: 1mW
Dimension	105 x 30 x 19.5mm (8.2 x 1.2 x 0.7 in.)
Poids	120g (4.2 oz)
Température	Fonctionnement: 10°C ~ 40°C (50°F ~ 104°F) Entreposage: -10°C ~ 80°C (14°F ~ 176°F)
Humidité	5% ~ 90% (pas de condensation)
Certificación	FCC, CE

Q1: Windows is unable to recognize the USB receiver. What should I do?

A1: First, make sure your computer meets the minimum requirements as specified in Section 1 of this quick installation guide. Second, connect the USB receiver to a different USB port on the computer.

Q2: All functions on the device stopped working. What should I do?

A2: First, verify the switch is set to on. Second, you must be within 100ft of the computer. Third, plug the USB receiver into a different USB port on your computer. Fourth, the batteries may be running low. Try replacing the batteries.

If you still encounter problems or have any questions regarding the TU2-P2W, please contact TRENDnet's Technical Support Department.

Limited Warranty

TRENDnet warrants its products against defects in material and workmanship, under normal use and service, for the following lengths of time from the date of purchase.

TU2-P2W - 2-Year Warranty

If a product does not operate as warranted above during the applicable warranty period, TRENDnet shall, at its option and expense, repair the defective product or deliver to customer an equivalent product to replace the defective item. All products that are replaced will become the property of TRENDnet. Replacement products may be new or reconditioned.

TRENDnet shall not be responsible for any software, firmware, information, or memory data of customer contained in, stored on, or integrated with any products returned to TRENDnet pursuant to any warranty.

There are no user serviceable parts inside the product. Do not remove or attempt to service the product through any unauthorized service center. This warranty is voided if (i) the product has been modified or repaired by any unauthorized service center, (ii) the product was subject to accident, abuse, or improper use (iii) the product was subject to conditions more severe than those specified in the manual.

Warranty service may be obtained by contacting TRENDnet office within the applicable warranty period for a Return Material Authorization (RMA) number, accompanied by a copy of the dated proof of the purchase. Products returned to TRENDnet must be pre-authorized by TRENDnet with RMA number marked on the outside of the package, and sent prepaid, insured and packaged appropriately for safe shipment.

WARRANTIES EXCLUSIVE: IF THE TRENDNET PRODUCT DOES NOT OPERATE AS WARRANTED ABOVE, THE CUSTOMER'S SOLE REMEDY SHALL BE, AT TRENDNET'S OPTION, REPAIR OR REPLACEMENT. THE FOREGOING WARRANTIES AND REMEDIES ARE EXCLUSIVE AND ARE IN LIEU OF ALL OTHER WARRANTIES, EXPRESSED OR IMPLIED, EITHER IN FACT OR BY OPERATION OF LAW, STATUTORY OR OTHERWISE, INCLUDING WARRANTIES OF MERCHANTABILITY AND FITNESS FOR A PARTICULAR PURPOSE. TRENDNET NEITHER ASSUMES NOR AUTHORIZES ANY OTHER PERSON TO ASSUME FOR IT ANY OTHER LIABILITY IN CONNECTION WITH THE SALE, INSTALLATION, MAINTENANCE OR USE OF TRENDNET'S PRODUCTS.

TRENDNET SHALL NOT BE LIABLE UNDER THIS WARRANTY IF ITS TESTING AND EXAMINATION DISCLOSE THAT THE ALLEGED DEFECT IN THE PRODUCT DOES NOT EXIST OR WAS CAUSED BY CUSTOMER'S OR ANY THIRD PERSON'S MISUSE, NEGLIGENCE, IMPROPER INSTALLATION OR TESTING, UNAUTHORIZED ATTEMPTS TO REPAIR OR MODIFY, OR ANY OTHER CAUSE BEYOND THE RANGE OF THE INTENDED USE, OR BY ACCIDENT, FIRE, LIGHTNING, OR OTHER HAZARD.

LIMITATION OF LIABILITY: TO THE FULL EXTENT ALLOWED BY LAW TRENDNET ALSO EXCLUDES FOR ITSELF AND ITS SUPPLIERS ANY LIABILITY, WHETHER BASED IN CONTRACT OR TORT (INCLUDING NEGLIGENCE), FOR INCIDENTAL, CONSEQUENTIAL, INDIRECT, SPECIAL, OR PUNITIVE DAMAGES OF ANY KIND, OR FOR LOSS OF REVENUE OR PROFITS, LOSS OF BUSINESS, LOSS OF INFORMATION OR DATA, OR OTHER FINANCIAL LOSS ARISING OUT OF OR IN CONNECTION WITH THE SALE, INSTALLATION, MAINTENANCE, USE, PERFORMANCE, FAILURE, OR INTERRUPTION OF THE POSSIBILITY OF SUCH DAMAGES, AND LIMITS ITS LIABILITY TO REPAIR, REPLACEMENT, OR REFUND OF THE PURCHASE PRICE PAID, AT TRENDNET'S OPTION. THIS DISCLAIMER OF LIABILITY FOR DAMAGES WILL NOT BE AFFECTED IF ANY REMEDY PROVIDED HEREIN SHALL FAIL OF ITS ESSENTIAL PURPOSE.

Governing Law: This Limited Warranty shall be governed by the laws of the state of California.

Note: AC/DC Power Adapter, Cooling Fan, Cables and Power Supply carry 1-Year Warranty

Certifications

This equipment has been tested and found to comply with FCC and CE Rules.

Operation is subject to the following two conditions:

- (1) This device may not cause harmful interference.
- (2) This device must accept any interference received. Including interference that may cause undesired operation.



Waste electrical and electronic products must not be disposed of with household waste. Please recycle where facilities exist. Check with you Local Authority or Retailer for recycling advice.



NOTE: THE MANUFACTURER IS NOT RESPONSIBLE FOR ANY RADIO OR TV INTERFERENCE CAUSED BY UNAUTHORIZED MODIFICATIONS TO THIS EQUIPMENT. SUCH MODIFICATIONS COULD VOID THE USER'S AUTHORITY TO OPERATE THE EQUIPMENT.

ADVERTENCIA

En todos nuestros equipos se mencionan claramente las características del adaptador de alimentación necesario para su funcionamiento. El uso de un adaptador distinto al mencionado puede producir daños físicos y/o daños al equipo conectado. El adaptador de alimentación debe operar con voltaje y frecuencia de la energía eléctrica domiciliar existente en el país o zona de instalación.



Product Warranty Registration

Please take a moment to register your product online.
Go to TRENDnet's website at <http://www.trendnet.com/register>

TRENDnet[®]
20675 Manhattan Place
Torrance, CA 90501
USA