

TRENDnet[®]



Quick Installation Guide

PoE Web Smart Switch Series

Table of Contents

1 Deutsch

1. Bevor Sie anfangen
2. Schnellübersicht
3. Hardware-Installation und Konfiguration

1. Bevor Sie anfangen

Packungsinhalt

- Anleitung zur Schnellinstallation
- Stromkabel (1,8 m / 6 Fuß)
- Montagesatz für Gestell

Installationsanforderungen

- Einen Computer mit einem Ethernet-Anschluss und Web-Browser
- Netzwerkkabel

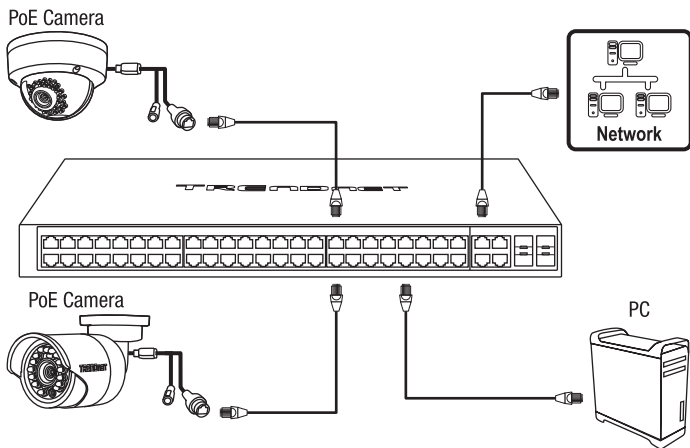
Optionale Geräte

- Standardmäßiges 19"- Gestell
- SFP-Modul (z.B. TE100-MGBFX, TEG-MGBSX, TEG-MGBS10, TEG-MGBS40, TEG-MGBS80, TEG-MGBS10D3, TEG-MGBS10D5, TEG-MGBS40D3, TEG-MGBS40D5)

Max Power over Ethernet Budget

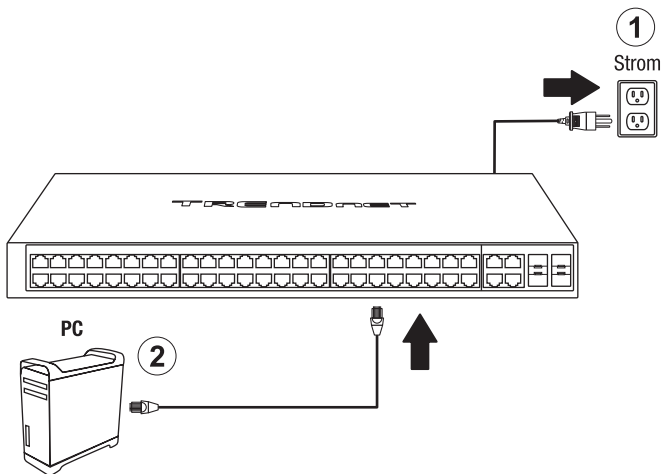
| | | |
|-----------------------------------|-----------------------------------|------------------------------------|
| TPE-1620WS PoE Power Budget: 185W | TPE-5240WS PoE Power Budget: 370W | TPE-1620WSF PoE Power Budget: 370W |
| TPE-5048WS PoE Power Budget: 740W | TPE-2840WS PoE Power Budget: 185W | TPE-30284 PoE Power budget: 370W |
| TPE-5028WS PoE Power Budget: 370W | TPE-204US PoE Power budget: 370W | TPE-1021WS PoE Power budget: 130W |

2. Schnellübersicht

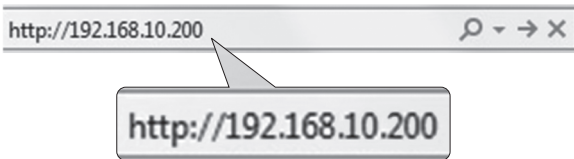


Hinweis: Das Switchmodell kann sich von dem im folgenden Beispiel gezeigten unterscheiden.

3. Hardware-Installation und Konfiguration



3. Weisen Sie dem Netzwerkadapter Ihres Computers eine statische IP-Adresse im Subnetz 192.168.10.x (z.B. 192.168.10.25) und die Subnetzmaske 255.255.255.0 zu.
4. Öffnen Sie Ihren Webbrowser, geben Sie die IP-Adresse des Switch in die Adressleiste ein und drücken Sie auf die **Eingabetaste**. Die Standard-IP-Adresse lautet 192.168.10.200.



5. Geben Sie **User name** (Benutzername) und **Password** (Kennwort) ein und klicken sie auf **LOGIN**. StandardEinstellung:

User name (Benutzername): **admin**

Password (Kennwort): **admin**

Hinweis: Achten Sie auf Groß- und Kleinschreibung.

The image shows a login form with three input fields. The first field is labeled 'Username' and contains the text 'admin'. The second field is labeled 'Password' and also contains the text 'admin'. Below these fields is a 'Login' button. Callout boxes point to each of these elements with the text 'admin' and 'Login'.

6. Klicken Sie auf **System**, dann auf **L3-Funktion** und anschließend auf **IPv4-Schnittstelle**.

7. Klicken Sie auf **Bearbeiten**, um die IPv4-Schnittstellenkonfigurationsseite aufzurufen, und konfigurieren Sie die folgenden Einstellungen entsprechend den Anforderungen Ihres Netzwerks. Klicken Sie dann auf **Übernehmen**.

The image shows the 'IPv4 Interface Configuration' page. On the left is a navigation menu with 'System' selected. Under 'System', 'L3 Feature' is selected, and under 'L3 Feature', 'IPv4 Interface' is selected. The main content area shows configuration for 'vlan1'. The 'Status Settings' section has 'Interface' set to 'vlan1' and 'State' set to 'Enabled'. The 'IP Settings' section has 'Get IP Form' set to 'Static', 'IP Address' set to '192.168.10.200', and 'Subnet Mask' set to '255.255.255.0'. There are 'Apply' buttons for both sections. Callout boxes point to 'System', 'L3 Feature', 'IPv4 Interface', and the 'Apply' button at the bottom.

8. Klicken Sie auf **OK**.

Please confirm



The management session will be disconnected. Use new IP address to connect to device.

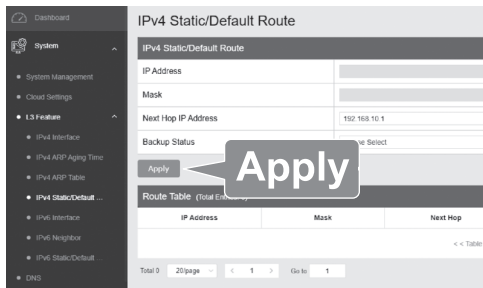
Cancel

OK

OK

9. Melden Sie sich mit der neuen IP-Adresse an. Klicken Sie auf **System**, dann auf **L3-Funktion** und klicken Sie auf **IPv4 Static/Default Route**.

10. Konfigurieren Sie die Standard-Gateway-IP unter **Next Hop IP Address** und wählen Sie **Primär** aus dem Dropdown-Menü unter **Backup-Status**.



11. Klicken Sie auf **Übernehmen** und Ihr Gateway sollte in der Tabelle unten erscheinen.

12. Klicken Sie auf das **Speichern-Symbol**  oben rechts in der Schnittstelle, um Ihre Einstellungen im Flash zu speichern.

Hinweis:

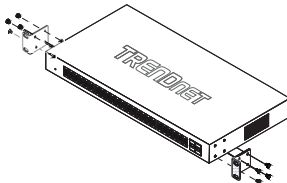
1. Installieren Sie das Webmanagement-Programm, wenn Sie problemlos alle webbasierten Switches Ihres Netzwerks auffinden, IP-Adressen zuweisen, Kennwörter ändern und die Firmware aktualisieren wollen. Gehen Sie dazu entsprechend den folgenden Schritten vor.
2. Um die neueste Version des Benutzerhandbuchs herunterzuladen, gehen Sie bitte zu: <http://www.trendnet.com/support> und wählen Sie **Switch Model** in der Dropdown-Liste Produkt-Download.

UL Warning

- 1) Elevated Operating Ambient Temperature - If installed in a closed or multi-unit rack assembly, the operating ambient temperature of the rack environment may be greater than room ambient. Therefore, consideration should be given to installing the equipment in an environment compatible with the manufacturer's maximum rated ambient temperature (T_{ma}).
- 2) Reduced Air Flow - Installation of the equipment in a rack should be such that the amount of air flow required for safe operation of the equipment is not compromised.
- 3) Mechanical Loading - Mounting of the equipment in the rack should be such that a hazardous condition is not achieved due to uneven mechanical loading.
- 4) Circuit Overloading - Consideration should be given to the connection of the equipment to the supply circuit and the effect that overloading of circuits might have on over current protection and supply wiring. Appropriate consideration of equipment nameplate ratings should be used when addressing this concern.
- 5) Reliable Earthing - Reliable earthing of rack-mounted equipment should be maintained. Particular attention should be given to supply connections other than direct connections to the branch circuit (e.g., use of power strips).

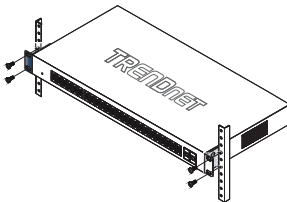
Rack Installation

The Switch can be mounted in an EIA standard, 19-inch rack, which can be placed in a wiring closet with other equipment. To install, attach the mounting brackets to the switch's front panel (one on each side) and secure them with the screws provided.



Attaching the mounting brackets to the Switch

Use the screws provided with the equipment rack to mount the Switch on the rack.



Installing the Switch in an equipment rack

TRENDNET[®]

Certifications

This device complies with Part 15 of the FCC Rules.

Operation is subject to the following two conditions:

- (1) This device may not cause harmful interference.
- (2) This device must accept any interference received.

Including interference that may cause undesired operation.



Waste electrical and electronic products must not be disposed of with household waste. Please recycle where facilities exist. Check with your Local Authority or Retailer for recycling advice.

FCC warning:

This equipment has been tested and found to comply with the limits for a Class A digital device, pursuant to part 15 of the FCC Rules. These limits are designed to provide reasonable protection against harmful interference when the equipment is operated in a commercial environment. This equipment generates, uses, and can radiate radio frequency energy and, if not installed and used in accordance with the instruction manual, may cause harmful interference to radio communications. Operation of this equipment in a residential area is likely to cause harmful interference in which case the user will be required to correct the interference at his own expense.

FCC Caution:

Any changes or modification not expressly approved by the party responsible for compliance could void the user's authority to operate this equipment.

CAUTION: Double pole, neutral fusing. Disconnect mains before servicing.

ATTENTION: Double pôle/fusible sur le neutre.

Technical Support

If you have any questions regarding the product installation, please contact our Technical Support. Toll free US/Canada: **1-855-373-4741**
Regional phone numbers available at www.trendnet.com/support

TRENDnet

20675 Manhattan Place
Torrance, CA 90501
USA

Applies to PoE Products Only: This product is to be connected only to PoE networks without routing to the outside plant.

Note

The Manufacturer is not responsible for any radio or TV interference caused by unauthorized modifications to this equipment. Such modifications could void the user's authority to operate the equipment.

Avertissement

S'applique uniquement aux produits PoE: Ce produit doit être raccordé qu'aux réseaux PoE sans routage vers l'installation extérieure.

Advertencia

En todos nuestros equipos se mencionan claramente las características del adaptador de alimentación necesario para su funcionamiento. El uso de un adaptador distinto al mencionado puede producir daños físicos y/o daños al equipo conectado. El adaptador de alimentación debe operar con voltaje y frecuencia de la energía eléctrica domiciliaria existente en el país o zona de instalación.

UL warning:

The equipment power supply cord shall be connected to a socket-outlet with earthing connection.
Le cordon d'alimentation de l'appareil doit être raccordé à une prise de courant avec mise à la terre.

Fiber product warning note:

If the Optical Transceiver doesn't ship with the unit, the user manual shall have the description as below or equivalent: "This product is intended to be use with a UL Listed Optical Transceiver product, Rated DC3.3V, Laser Class I."

Laser warning note:

This product is intended to be use with a UL Listed Optical Transceiver product, Rated DC3.3V, Laser Class I.

Product Warranty Registration

Please take a moment to register your product online. Go to TRENDnet's website at: www.trendnet.com/register