



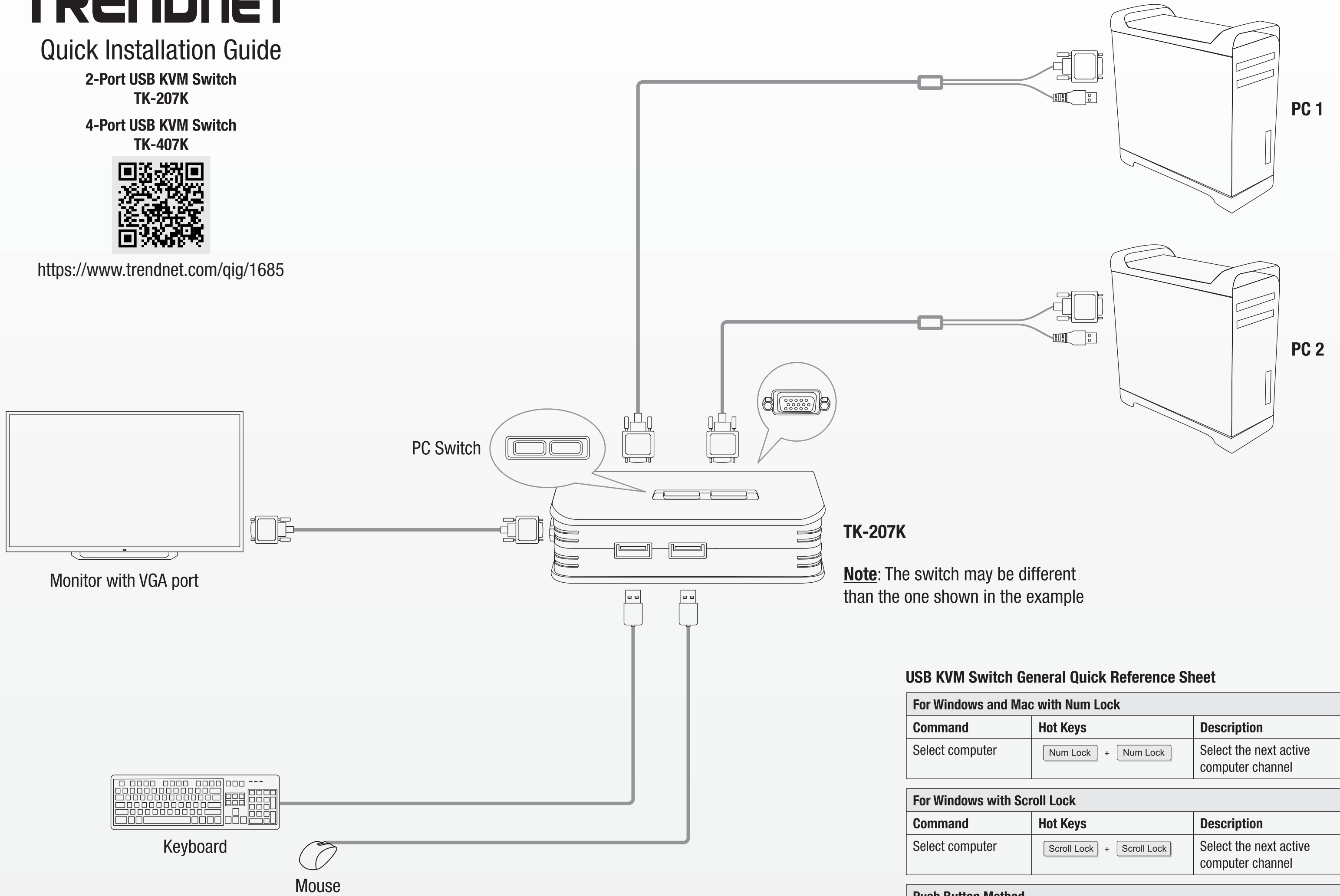
Quick Installation Guide

2-Port USB KVM Switch
TK-207K

4-Port USB KVM Switch
TK-407K



<https://www.trendnet.com/qig/1685>



TK-207K

Note: The switch may be different than the one shown in the example

USB KVM Switch General Quick Reference Sheet

For Windows and Mac with Num Lock		
Command	Hot Keys	Description
Select computer	Num Lock + Num Lock	Select the next active computer channel

For Windows with Scroll Lock		
Command	Hot Keys	Description
Select computer	Scroll Lock + Scroll Lock	Select the next active computer channel

Push Button Method		
Command	Button	Description
Select computer	Push the button on the KVM unit	Select the next active computer channel

Declaration of Conformity

TRENDnet®

Manufacturer's Name and Address

TRENDnet, Inc.
20675 Manhattan Place
Torrance, CA 90501 USA
Zwolsestraat 156 2587 WB
The Hague The Netherlands



Product Information:

Model Number: TK-207K / TK-407K
Product Name: 2-Port USB KVM Switch
4-Port USB KVM Switch
Trade Name: TRENDnet

TRENDnet hereby declares that the product is in compliance with the essential requirements and other relevant provisions under our sole responsibility.

Safety EN 62368-1:2014+A11:2017
EMC EN 55032:2015+AC:2016
EN 61000-3-2:2014 Class A
EN 61000-3-3:2013
EN 61000-4-2:2009
EN 61000-4-3:2006+A1:2008+A2:2010
EN 61000-4-4:2012
EN 61000-4-6:2014
EN 61000-4-8:2010

This product is herewith confirmed to comply with the Directives.

Directives: EMC Directive 2014/30/EU
RoHS Directive (EU) 2015/863
WEEE Directive 2012/19/EU
REACH Regulation (EC) No. 1907/2006
Low Voltage Directive 2014/35/EU

Person responsible for this declaration.

Place of Issue: Torrance, California, USA

Date: December 23, 2024

Title: VP of Technology

Name: Sonny Su

Signature: 



Déclaration de conformité

TRENDnet®

Nom et adresse du fabricant

TRENDnet, Inc.
20675 Manhattan Place
Torrance, CA 90501 USA
Zwolsestraat 156 2587 WB
The Hague The Netherlands



Détails du produit

Modèle: TK-207K / TK-407K
Nom du produit: Switch KVM USB à 2 ports
Switch KVM USB à 4 ports
Nom Commercial: TRENDnet

TRENDnet déclare par la présente que le produit est conforme aux exigences essentielles et aux autres dispositions pertinentes de la Directive en vertu de notre seule responsabilité.

Sécurité EN 62368-1:2014+A11:2017
CEM EN 55032:2015+AC:2016
EN 61000-3-2:2014 Class A
EN 61000-3-3:2013
EN 61000-4-2:2009
EN 61000-4-3:2006+A1:2008+A2:2010
EN 61000-4-4:2012
EN 61000-4-6:2014
EN 61000-4-8:2010

Ce produit est conforme à la directives suivante.

Directives: Directive CEM 2014/30/UE
Directive RoHS (UE) 2011/65/UE
Directive WEEE 2012/19/UE
REACH Règlement (CE) N° 1907/2006
Directive Basse Tension 2014/35/UE

Personne responsable de cette déclaration.

Lieu de délivrance: Torrance, California, USA

Date: 23 décembre, 2024

Position: Vice-président de Technologie

Nom: Sonny Su

Signature: 



Konformitätserklärung

TRENDnet®

Name und Adresse des Herstellers

TRENDnet, Inc.
20675 Manhattan Place
Torrance, CA 90501 USA
Zwolsestraat 156 2587 WB
The Hague The Netherlands



Informationen zum Produkt

Produktname: TK-207K / TK-407K
Modellnummer: 2-Port-USB-KVM-Switch
4-Port-USB-KVM-Switch
Handelsname: TRENDnet

TRENDnet erklärt hiermit, dass das Produkt in unserer alleinigen Verantwortung mit den grundlegenden Anforderungen und anderen relevanten Bestimmungen übereinstimmt.

EMV EN 62368-1:2014+A11:2017
Sicherheit EN 55032:2015+AC:2016
EN 61000-3-2:2014 Class A
EN 61000-3-3:2013
EN 61000-4-2:2009
EN 61000-4-3:2006+A1:2008+A2:2010
EN 61000-4-4:2012
EN 61000-4-6:2014
EN 61000-4-8:2010

Hiermit wird bestätigt, dass dieses Produkt den folgenden Richtlinien entspricht.

Richtlinien: EMV-Richtlinie 2014/30/EU
RoHS-Richtlinie (EG) 2011/65/EU
WEEE-Richtlinie 2012/19/EU
REACH-Verordnung (EG) Nr. 1907/2006
Niederspannungsrichtlinie 2014/35/EU


Für diese Erklärung verantwortliche Person.

Ort der Ausstellung: Torrance, California, USA

Datum: Dezember 23, 2024

Titel: Vice President of Technology

Name: Sonny Su

Unterschrift: 



Declaration of Conformity

TRENDnet®

Manufacturer's Name and Address

TRENDnet, Inc.
20675 Manhattan Place
Torrance, CA 90501 USA



Authorized Representative:
Office: +44 (0) 1635 887 399
Unit 4 Rivermead Business Park,
Pipers Way, Thatcham, RG19 4EP England

Product Information:

Model Number: TK-207K / TK-407K
Product Name: 2-Port USB KVM Switch
4-Port USB KVM Switch
Trade Name: TRENDnet

TRENDnet hereby declares that the product is in compliance with the essential requirements and other relevant provisions under our sole responsibility.

Safety EN 62368-1:2014+A11:2017
EMC EN 55032:2015+AC:2016
EN 61000-3-2:2014 Class A
EN 61000-3-3:2013
EN 61000-4-2:2009
EN 61000-4-3:2006+A1:2008+A2:2010
EN 61000-4-4:2012
EN 61000-4-6:2014
EN 61000-4-8:2010

This product is herewith confirmed to comply with the Directives.

Directives: Electromagnetic Compatibility Regulations 2016
The Restriction of the Use of Certain Hazardous Substances in Electrical and Electronic Equipment Regulations 2012
The Waste Electrical and Electronic Equipment Regulations 2013 (as amended)
The REACH Enforcement Regulations 2008 (as amended)
Electrical Equipment (Safety) Regulations 2016

Person responsible for this declaration.

Place of Issue: Torrance, California, USA

Date: December 23, 2024

Title: VP of Technology

Name: Sonny Su

Signature: 



Limited Warranty

TRENDnet warrants its products against defects in material and workmanship, under normal use and service. Specific warranty periods are listed on each of the respective product pages on the TRENDnet website.

Garantie Limitée

TRENDnet garantit ses produits contre les problèmes de matériel ou de fabrication, dans des conditions normales d'utilisation et de service. Les périodes de garanties précises sont mentionnées sur chacun des pages produits du site web de TRENDnet.

Eingeschränkte Garantie

TRENDnet gewährt eine Garantie für seine Produkte im Falle von Material- und Bearbeitungsdefekten, bei normaler Verwendung und Wartung. Spezielle Garantiezeiträume werden auf jeder Produktseite auf der Website von TRENDnet genannt.

Garantia limitada

TRENDnet garantiza que sus productos carecen de defectos en el material y la fabricación, en condiciones de uso y funcionamiento normales. Los periodos especificos de garantía figuran en cada una de las páginas de producto del sitio web de TRENDnet.

Garantia Limitada

A TRENDnet garante seus produtos contra defeitos de material e mão de obra sob condições normais de uso e serviço. Os períodos de garantia específicos estão listados em cada uma das páginas dos respectivos produtos no site da TRENDnet.

Piiratud garantii

TRENDneti garantii hõlmab materjali- ja koostamisdefekte, mis ilmnevad toote tavapärasel kasutamisel. Garantiiaja täpne pikkus konkreetse toote puhul on leitud TRENDneti kodulehelt vastava toote infolehel.

Garanzia limitata

TRENDnet garantisce i propri prodotti da difetti di materiali e manodopera, in condizioni di normale uso ed esercizio. I periodi di garanzia specifici sono elencati sulle rispettive pagine di prodotto sul sito TRENDnet.

Certifications

This device complies with Part 15 of the FCC Rules. Operation is subject to the following two conditions:

- (1) This device may not cause harmful interference.
- (2) This device must accept any interference received. Including interference that may cause undesired operation.



Waste electrical an electronic products must not be disposed of with household waste. Please recycle where facilities exist. Check with your Local Authority or Retailer for recycling advice.

Technical Support

If you have any questions regarding the product installation, please contact our Technical Support.

Toll free US/Canada: **1-866-845-3673**

Regional phone numbers available at www.trendnet.com/support

TRENDnet

20675 Manhattan Place
Torrance, CA 90501
USA

Applies to PoE Products Only: This product is to be connected only to PoE networks without routing to the outside plant.

Note

The Manufacturer is not responsible for any radio or TV interference caused by unauthorized modifications to this equipment. Such modifications could void the user's authority to operate the equipment.

Advertencia

En todos nuestros equipos se mencionan claramente las características del adaptador de alimentación necesario para su funcionamiento. El uso de un adaptador distinto al mencionado puede producir daños físicos y/o daños al equipo conectado. El adaptador de alimentación debe operar con voltaje y frecuencia de la energía eléctrica domiciliaria existente en el país o zona de instalación.

Product Warranty Registration

Please take a moment to register your product online.

Go to TRENDnet's website at: www.trendnet.com/register