

TRENDnet[®]



Quick Installation Guide

TI-RG262i (v1.xR)

Table of Contents

1 English

1. Before You Start
2. Quick Reference
3. Hardware Installation
4. Rack Mount Hardware Installation

<https://www.trendnet.com/qig/1390>



1. Before You Start

Package Contents

- TI-RG262i
- Rack mount kit
- Quick Installation Guide
- Console cable

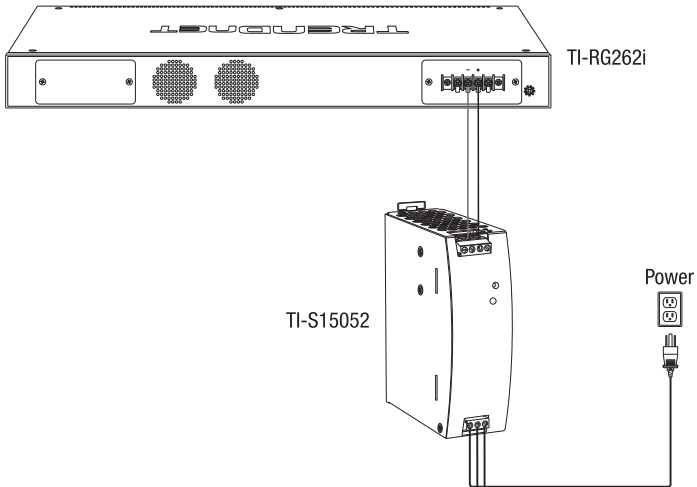
Minimum Requirements

- Power supply (ex. model TI-S15052)
- Networked computer
- RJ-45 Network Cable
- Phillips Screwdriver

Optional Equipment

- SFP modules (e.g. TI-MGBSX, TI-MGBS10, TI-MGBS40)

2. Quick Reference



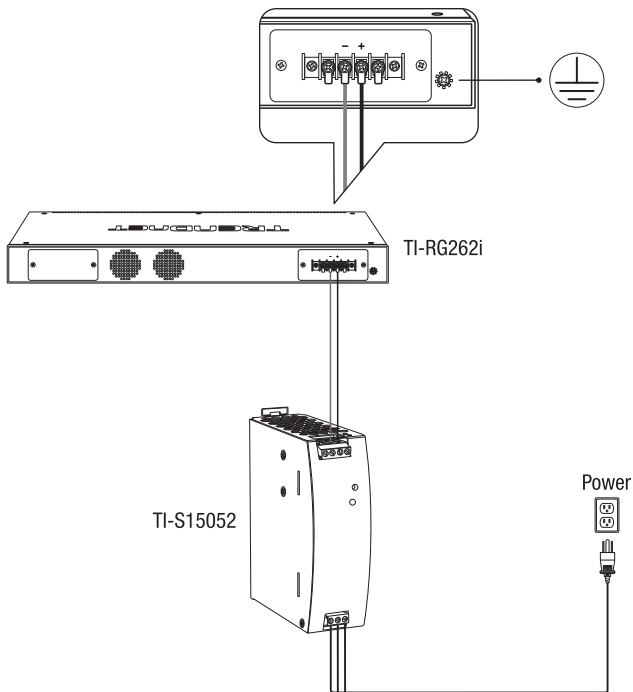
3. Hardware Installation

Applying Power

1. Connect the power supply (sold separately) to the screw terminal block (as shown below) and secure with the screws.

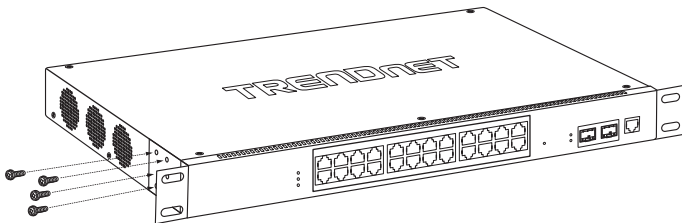
Note: Polarities must match.

Optional: The switch chassis can also be connected to a known grounding point for additional safety and protection (grounding wire is not included).

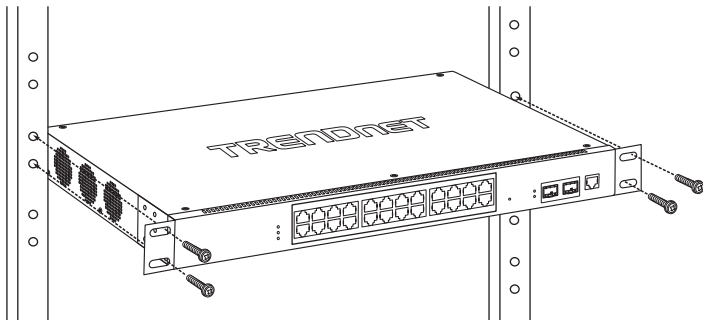


4. Rack Mount Hardware Installation

The switch can be mounted in an EIA standard-size, 19-inch rack, which can be placed in a wiring closet with other equipment. Attach the mounting brackets at the switch's front panel (one on each side), and secure them with the provided screws.



Use screws of the equipment rack to mount switch in the rack.



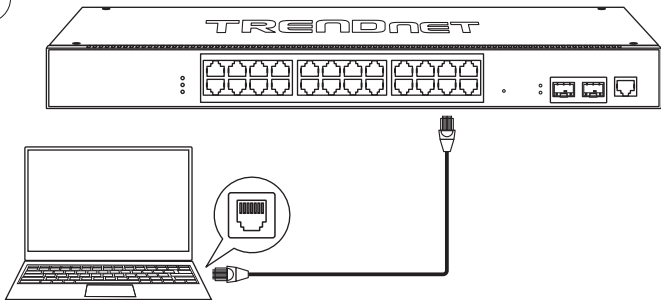
Safety Note



- Turn off the power before connecting any module or wire. The correct power supply voltage (48 – 57 V DC) is listed on the product label. Check the voltage of your power source to make sure that you are using the correct part. Do NOT use voltage greater than 48 – 57 V DC, as specified on the product label.
- Calculate the maximum possible current in each power wire and common wire. Observe all electrical codes dictating the maximum current allowable for each wire size. If the current surpasses the maximum ratings, the wiring could overheat, causing serious damage to your equipment.

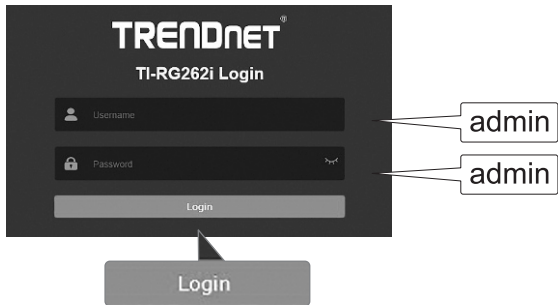
5. Hardware Configuration

1



2. Assign a Static IP address to your computer's network adapter in the subnet of 192.168.10.x (e.g. 192.168.10.25) and a subnet mask of 255.255.255.0.
3. Open your web browser, type the IP address of the switch in the address bar, and then press **Enter**. The default IP address is 192.168.10.200
4. Enter the **User name** and **Password**, and then click **Login**. By default:
User Name: **admin**
Password: **admin**

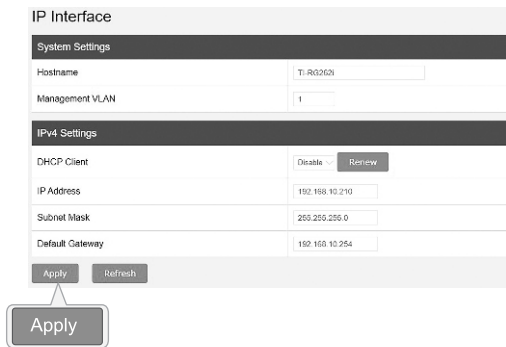
Note: User Name and Password are case sensitive.



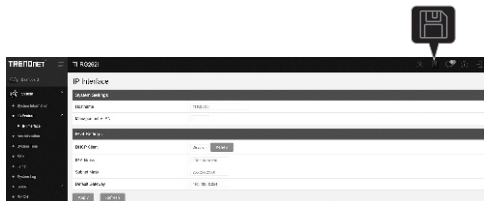
5. Click **System** and then click **L3 Feature**, and then click on **IP Interface**.



6. Configure the switch to match the requirements of your network. Then click **Apply**.



7. Click **Save**.



8. Connect a network source and devices to the switch. Check the LEDs to confirm the connections are established. Your installation is complete.

Declaration of conformity

TRENDnet[®]

Manufacturer's Name and Address

TRENDnet, Inc. Zwolsestraat 156 2587 WB
20675 Manhattan Place The Hague The Netherlands
Torrance, CA 90501 USA



Product Information:

Model Number: TI-RG262i
Product Name: 26-Port Industrial Gigabit L2 Managed Rackmount Switch
Trade Name: TRENDnet

TRENDnet hereby declare that the product is in compliance with the essential requirements and other relevant provisions under our sole responsibility.

Safety EN 62368-1:2014 (Second Edition)

EMC EN 55032: 2015
AS/NZS CISPR 32:2015
EN 55035:2017/A11:2020
IEC 61000-4-2: 2008
IEC 61000-4-3: 2020
IEC 61000-4-4: 2012
IEC 61000-4-5: 2014/A1:2017
IEC 61000-4-6: 2013/COR1:2015
IEC 61000-4-8: 2009

This product is herewith confirmed to comply with the Directives.

Directives: EMC Directive 2014/30/EC, 2014/53/EU
RoHS Directive 2015/863/EU
RoHS 3 Directive 2015/863/EU
WEEE Directive 2012/19/EU
REACH Regulation (EC) No. 1907/2006
Low Voltage Directive 2014/35/EC

Person responsible for this declaration.

Place of Issue: Torrance, California, USA

Date: September 08, 2023

Name: Sonny Su

Title: VP of Technology

Signature:

A handwritten signature in black ink, appearing to read 'Sonny Su', is written over a horizontal line.



Declaration of conformity

TRENDNET[®]

Manufacturer's Name and Address

TRENDnet, Inc. Authorized Representative:
20675 Manhattan Place Office: +44 (0) 1635 887 399
Torrance, CA 90501 USA Unit 4 Rivermead Business Park,
Pipers Way, Thatcham, RG19 4EP England



Product Information:

Model Number: TI-RG262i
Product Name: 26-Port Industrial Gigabit L2 Managed Rackmount Switch
Trade Name: TRENDnet

TRENDnet hereby declare that the product is in compliance with the essential requirements and other relevant provisions under our sole responsibility.

Safety BS EN 62368-1:2014 (Second Edition)
EMC BS EN 55032: 2015
AS/NZS CISPR 32:2015
BS EN 55035:2017/A11:2020
BS IEC 61000-4-2: 2008
BS IEC 61000-4-3: 2020
BS IEC 61000-4-4: 2012
BS IEC 61000-4-5: 2014/A1:2017
BS IEC 61000-4-6: 2013/COR1:2015
BS IEC 61000-4-8: 2009

This product is herewith confirmed to comply with the Directives.

Directives: Electromagnetic Compatibility Regulations 2016
The Restriction of the Use of Certain Hazardous Substances in Electrical and Electronic Equipment Regulations 2012
The Waste Electrical and Electronic Equipment Regulations 2013 (as amended)
The REACH Enforcement Regulations 2008 (as amended)
Electrical Equipment (Safety) Regulations 2016

Person responsible for this declaration.

Place of Issue: Torrance, California, USA

Date: September 08, 2023

Name: Sonny Su

Title: VP of Technology

Signature:

A handwritten signature in black ink, appearing to read 'Sonny Su', is written over a horizontal line.



Certifications

This device complies with Part 15 of the FCC Rules.

Operation is subject to the following two conditions:

- (1) This device may not cause harmful interference.
- (2) This device must accept any interference received, including interference that may cause undesired operation.



Waste electrical and electronic products must not be disposed of with household waste. Please recycle where facilities exist. Check with your Local Authority or Retailer for recycling advice.

- This equipment has been tested and found to comply with the limits for a Class A digital device, pursuant to part 15 of the FCC Rules. These limits are designed to provide reasonable protection against harmful interference when the equipment is operated in a commercial environment. This equipment generates, uses, and can radiate radio frequency energy and, if not installed and used in accordance with the instruction manual, may cause harmful interference to radio communications. Operation of this equipment in a residential area is likely to cause harmful interference in which case the user will be required to correct the interference at his own expense.
- FCC Caution: Any changes or modification not expressly approved by the party responsible for compliance could void the user's authority to operate this equipment.

Technical Support

If you have any questions regarding the product installation, please contact our Technical Support.

Toll free US/Canada: **1-855-373-4741**

Regional phone numbers available at www.trendnet.com/support

TRENDnet

20675 Manhattan Place
Torrance, CA 90501
USA

Applies to PoE Products Only: This product is to be connected only to PoE networks without routing to the outside plant.

Note

The Manufacturer is not responsible for any radio or TV interference caused by unauthorized modifications to this equipment. Such modifications could void the user's authority to operate the equipment.

Advertencia

En todos nuestros equipos se mencionan claramente las características del adaptador de alimentación necesario para su funcionamiento. El uso de un adaptador distinto al mencionado puede producir daños físicos y/o daños al equipo conectado. El adaptador de alimentación debe operar con voltaje y frecuencia de la energía eléctrica domiciliar existente en el país o zona de instalación.

Power supply connected caution

The equipment power supply cord shall be connected to a socket-outlet with earthing connection.

Advertencia

Le cordon d'alimentation de l'appareil doit être raccordé à une prise de courant avec mise à la terre.

If the Optical Transceiver doesn't ship with the unit, the user manual shall have description as below or equivalent: "This product is intended to be use with a UL Listed Optical Transceiver product, Rated DC3.3V, Laser Class I."

Product Warranty Registration

Please take a moment to register your product online. Go to TRENDnet's website at:

www.trendnet.com/register