

# TRENDNET®

## Quick Installation Guide

5-Port Industrial EN50155 M12 Gigabit PoE+ Railway Switch  
TI-XPG50

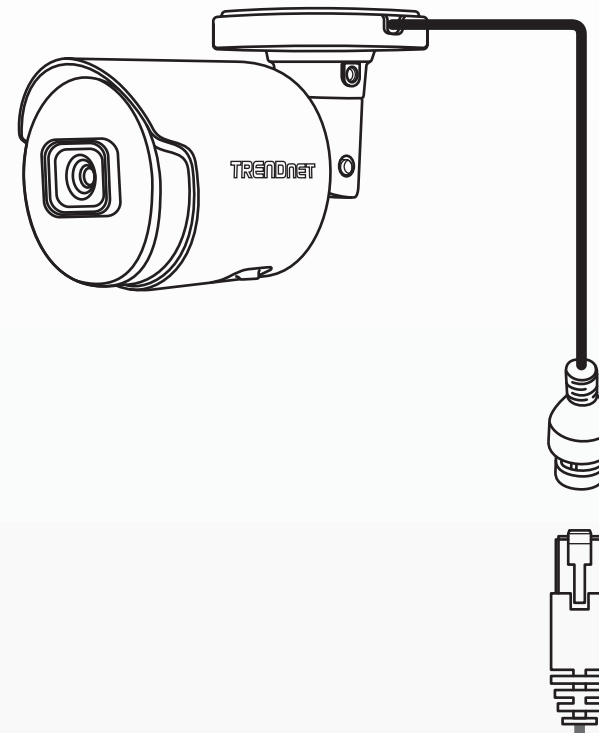
10-Port Industrial EN 50155 M12 Gigabit PoE+ Railway Switch  
TI-XPG102

M12 to RJ-45 Industrial Ethernet Cable, 2m (6.5 ft.)  
TI-CD02

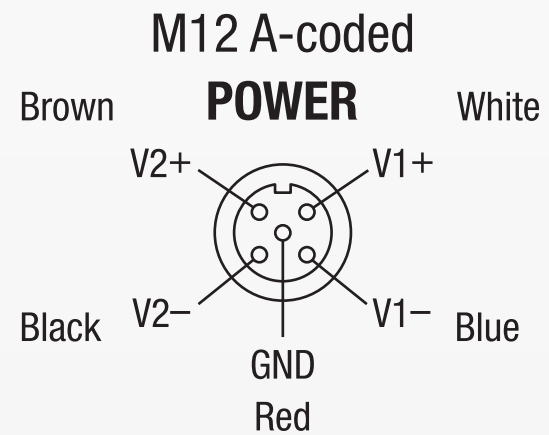
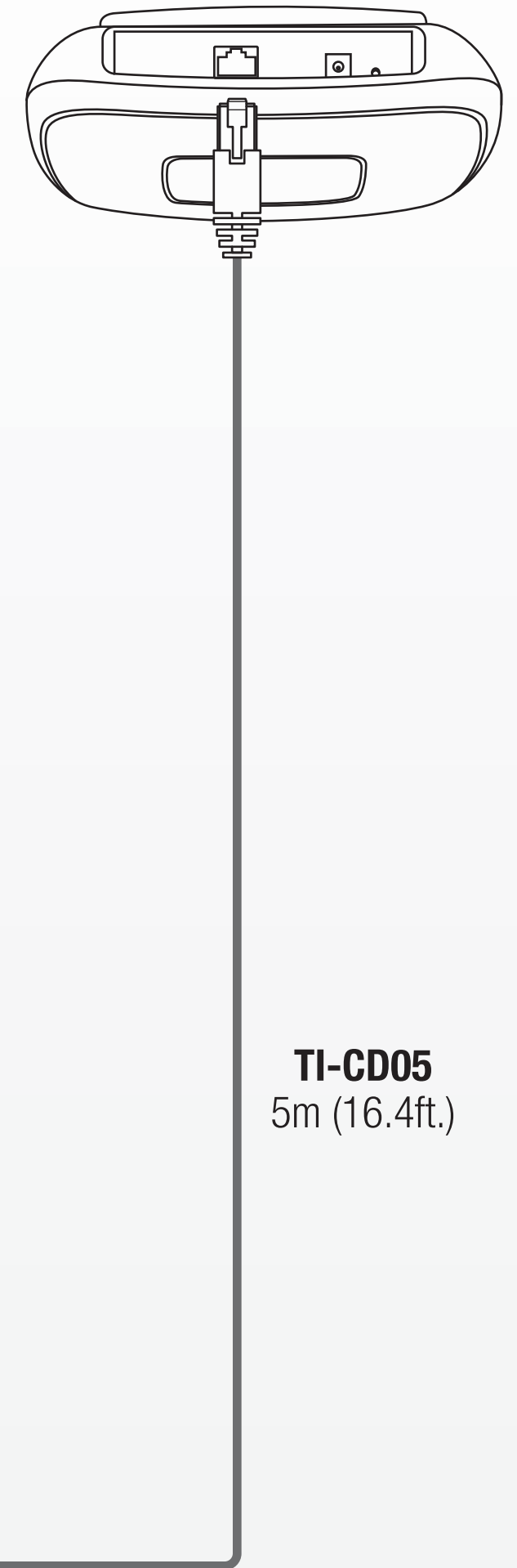
M12 to RJ-45 Industrial Ethernet Cable, 5m (16.4 ft.)  
TI-CD05

Industrial M12 Female 5-Pin Connector Electrical Cable, 2m (6.5 ft.)  
TI-CP02

PoE Camera



PoE Access Point



**TI-XPG50**

**TI-CD02**  
2m (6.5ft.)

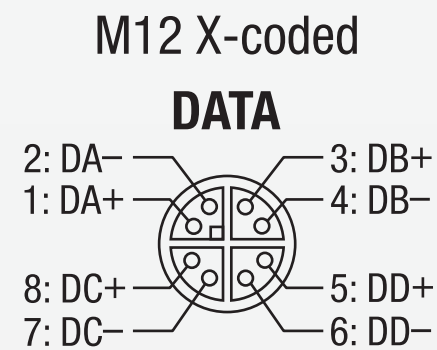
**TI-CD05**  
5m (16.4ft.)

Power Supply  
**TI-CP02**  
2m (6.5ft.)

### PoE Connector

The 8-pin M12 X-coded Female connector supports gigabit speed.

M12 Pin	RJ45 PIN	DATA	Power
1	1	DA+	V-
2	2	DA-	V-
3	3	DB+	V+
8	4	DC+	
7	5	DC-	
4	6	DB-	V+
5	7	DD+	
6	8	DD-	



## Declaration of Conformity

TRENDnet®

### Manufacturer's Name and Address

TRENDnet, Inc.  
20675 Manhattan Place  
Torrance, CA 90501 USA

Zwolsestraat 156 2587 WB  
The Hague The Netherlands



### Product Information:

**Model Number:** TI-XPG50 / TI-XPG102 / TI-CD02 / TI-CD05 / TI-CP02

**Product Name:** 5-Port Industrial EN50155 M12 Gigabit PoE+ Railway Switch  
10-Port Industrial EN 50155 M12 Gigabit PoE+ Railway Switch  
M12 to RJ-45 Industrial Ethernet Cable, 2m (6.5 ft.)  
M12 to RJ-45 Industrial Ethernet Cable, 5m (16.4 ft.)  
Industrial M12 Female 5-Pin Connector Electrical Cable, 2m (6.5 ft.)

**Trade Name:** TRENDnet

TRENDnet hereby declares that the product is in compliance with the essential requirements and other relevant provisions under our sole responsibility.

EMC Standard:	EMI:	EMS:
EN 55032: 2015/A11:2020 AS/NZS CISPR 32:2015	EN 55035: 2017/A11:2020 IEC 61000-4-2: 2008 IEC 61000-4-3: 2020 IEC 61000-4-4: 2012 IEC 61000-4-5: 2014/A1:2017 IEC 61000-4-6: 2013/COR1:2015 IEC 61000-4-8: 2009	EN 55035: 2017/A11:2020 IEC 61000-4-2: 2008 IEC 61000-4-3: 2020 IEC 61000-4-4: 2012 IEC 61000-4-5: 2014/A1:2017 IEC 61000-4-6: 2013/COR1:2015 IEC 61000-4-8: 2009

This product is herewith confirmed to comply with the Directives.

**Directives:** EMC Directive 2014/30/EU  
RoHS Directive 2011/65/EU  
WEEE Directive 2012/19/EU  
REACH Regulation (EU) No. 1907/2006  
Low Voltage Directive 2014/35/EU

Person responsible for this declaration.

Place of Issue: Torrance, California, USA

Date: April 21, 2025

Title: VP of Technology

Name: Sonny Su

Signature:



## Déclaration de conformité

TRENDnet®

### Nom et adresse du fabricant

TRENDnet, Inc.  
20675 Manhattan Place  
Torrance, CA 90501 USA

Zwolsestraat 156 2587 WB  
The Hague The Netherlands



### Nom du produit:

**Modèle:** TI-XPG50 / TI-XPG102 / TI-CD02 / TI-CD05 / TI-CP02

**Détails du produit** Switch ferroviaire industriel EN50155 M12 Gigabit PoE+ à 5 ports  
Switch ferroviaire PoE+ Gigabit M12 industriel EN 50155 à 10 ports  
Câble Ethernet industriel M12 vers RJ-45, 2m (6,5 pieds)  
Câble Ethernet industriel M12 vers RJ-45, 5m (16,4 pieds)  
Câble électrique industriel de raccordement M12 femelle à 5 broches, 2m (6,5 pieds)

**Nom Commercial:** TRENDnet

TRENDnet déclare par la présente que le produit est conforme aux exigences essentielles et aux autres dispositions pertinentes de la Directive en vertu de notre seule responsabilité.

Standard EMC:	EMI:	EMS:
EN 55032: 2015/A11:2020 AS/NZS CISPR 32:2015	EN 55035: 2017/A11:2020 IEC 61000-4-2: 2008 IEC 61000-4-3: 2020 IEC 61000-4-4: 2012 IEC 61000-4-5: 2014/A1:2017 IEC 61000-4-6: 2013/COR1:2015 IEC 61000-4-8: 2009	EN 55035: 2017/A11:2020 IEC 61000-4-2: 2008 IEC 61000-4-3: 2020 IEC 61000-4-4: 2012 IEC 61000-4-5: 2014/A1:2017 IEC 61000-4-6: 2013/COR1:2015 IEC 61000-4-8: 2009

Ce produit est conforme à la directives suivante.

**Directives:** Directive CEM 2014/30/UE  
Directive RoHS 2011/65/UE  
Directive WEEE 2012/19/UE  
REACH Règlement (CE) N° 1907/2006  
Directive Basse Tension 2014/35/UE

Personne responsable de cette déclaration.

Lieu de délivrance: Torrance, California, USA

Date: 21 avril, 2025

Position: Vice-président de Technologie

Nom: Sonny Su

Signature:



## Konformitätserklärung

TRENDnet®

### Name und Adresse des Herstellers

TRENDnet, Inc.  
20675 Manhattan Place  
Torrance, CA 90501 USA

Zwolsestraat 156 2587 WB  
The Hague The Netherlands



### Informationen zum Produkt

**Modellnummer:** TI-XPG50 / TI-XPG102 / TI-CD02 / TI-CD05 / TI-CP02

**Produktname:** Industrieller EN50155 M12 Gigabit PoE+ Eisenbahn-Switch mit 5 Anschlüssen  
Industrieller 10-Port-M12-Gigabit-PoE+-Eisenbahn-Switch (nach EN 50155)  
M12 zu RJ-45 industrielles Ethernet-Kabel, 2 m (6,5 Fuß)  
M12 zu RJ-45-Industrie-Ethernet-Kabel, 5 m (16,4 Fuß)  
Industrielle M12-Buchse, 5-polig, elektrisches Kabel, 2 m (6,5 Fuß)

**Handelsname:** TRENDnet

TRENDnet erklärt hiermit, dass das Produkt den grundlegenden Anforderungen und anderen relevanten Bestimmungen unter unserer alleinigen Verantwortung entspricht.

EMV Standards:	EMI:	EMS:
EN 55032: 2015/A11:2020 AS/NZS CISPR 32:2015	EN 55035: 2017/A11:2020 IEC 61000-4-2: 2008 IEC 61000-4-3: 2020 IEC 61000-4-4: 2012 IEC 61000-4-5: 2014/A1:2017 IEC 61000-4-6: 2013/COR1:2015 IEC 61000-4-8: 2009	EN 55035: 2017/A11:2020 IEC 61000-4-2: 2008 IEC 61000-4-3: 2020 IEC 61000-4-4: 2012 IEC 61000-4-5: 2014/A1:2017 IEC 61000-4-6: 2013/COR1:2015 IEC 61000-4-8: 2009

Hiermit wird bestätigt, dass dieses Produkt den folgenden Richtlinien entspricht.

**Richtlinien:** EMV-Richtlinie 2014/30/EU  
RoHS-Richtlinie 2011/65/EU  
WEEE-Richtlinie 2012/19/EU  
REACH-Verordnung (EG) Nr. 1907/2006  
Niederspannungsrichtlinie 2014/35/EU

Für diese Erklärung verantwortliche Person.

Ort der Ausstellung: Torrance, California, USA

Datum: April 21, 2025

Titel: Vice President of Technology

Name: Sonny Su

Unterschrift:



## Declaration of Conformity

TRENDnet®

### Manufacturer's Name and Address

TRENDnet, Inc.  
20675 Manhattan Place  
Torrance, CA 90501 USA

Authorized Representative:  
Office: +44 (0) 1635 887 399  
Unit 4 Rivermead Business Park,  
Pipers Way, Thatcham, RG19 4EP England



### Product Information:

**Model Number:** TI-XPG50 / TI-XPG102 / TI-CD02 / TI-CD05 / TI-CP02

**Product Name:** 5-Port Industrial EN50155 M12 Gigabit PoE+ Railway Switch  
10-Port Industrial EN 50155 M12 Gigabit PoE+ Railway Switch  
M12 to RJ-45 Industrial Ethernet Cable, 2m (6.5 ft.)  
M12 to RJ-45 Industrial Ethernet Cable, 5m (16.4 ft.)  
Industrial M12 Female 5-Pin Connector Electrical Cable, 2m (6.5 ft.)

**Trade Name:** TRENDnet

TRENDnet hereby declares that the product is in compliance with the essential requirements and other relevant provisions under our sole responsibility.

EMC Standard:	EMI:	EMS:
BS EN 55032:2015/A11:2020 AS/NZS CISPR 32:2015	BS EN 55035: 2017/A11:2020 BS IEC 61000-4-2: 2008 BS IEC 61000-4-3: 2020 BS IEC 61000-4-4: 2012 BS IEC 61000-4-5: 2014/A1:2017 BS IEC 61000-4-6: 2013/COR1:2015 BS IEC 61000-4-8: 2009	BS EN 55035: 2017/A11:2020 BS IEC 61000-4-2: 2008 BS IEC 61000-4-3: 2020 BS IEC 61000-4-4: 2012 BS IEC 61000-4-5: 2014/A1:2017 BS IEC 61000-4-6: 2013/COR1:2015 BS IEC 61000-4-8: 2009

This product is herewith confirmed to comply with the Directives.

**Directives:** Electromagnetic Compatibility Regulations 2016  
The Restriction of the Use of Certain Hazardous Substances in Electrical and Electronic Equipment Regulations 2012  
The Waste Electrical and Electronic Equipment Regulations 2013 (as amended)  
The REACH Enforcement Regulations 2008 (as amended)  
Electrical Equipment (Safety) Regulations 2016

Person responsible for this declaration.

Place of Issue: Torrance, California, USA

Date: April 21, 2025

Title: VP of Technology

Name: Sonny Su

Signature:



### Limited Warranty

TRENDnet warrants its products against defects in material and workmanship, under normal use and service. Specific warranty periods are listed on each of the respective product pages on the TRENDnet website.

### Garantie Limitée

TRENDnet garantit ses produits contre les problèmes de matériel ou de fabrication, dans des conditions normales d'utilisation et de service. Les périodes de garanties précises sont mentionnées sur chacun des pages produits du site web de TRENDnet.

### Eingeschränkte Garantie

TRENDnet gewährt eine Garantie für seine Produkte im Falle von Material- und Bearbeitungsdefekten, bei normaler Verwendung und Wartung. Spezielle Garantiezeiträume werden auf jeder Produktseite auf der Website von TRENDnet genannt.

### Garantía limitada

TRENDnet garantiza que sus productos carecen de defectos en el material y la fabricación, en condiciones de uso y funcionamiento normales. Los periodos específicos de garantía figuran en cada una de las páginas de producto del sitio web de TRENDnet.

### Garantia Limitada

A TRENDnet garante seus produtos contra defeitos de material e mão de obra sob condições normais de uso e serviço. Os períodos de garantia específicos estão listados em cada uma das páginas dos respectivos produtos no site da TRENDnet.

### Piiratud garantii

TRENDneti garantii hõlmab materjali- ja koostamisdefekte, mis ilmnevad toote tavapärasel kasutamisel. Garantiiaja täpne pikkus konkreetse toote puhul on leitav TRENDneti kodulehelt vastava toote infolehel.

### Garanzia limitata

TRENDnet garantisce i propri prodotti da difetti di materiali e manodopera, in condizioni di normale uso ed esercizio. I periodi di garanzia specifici sono elencati sulle rispettive pagine di prodotto sul sito TRENDnet.

### Certifications

This device complies with Part 15 of the FCC Rules. Operation is subject to the following two conditions:  
(1) This device may not cause harmful interference.  
(2) This device must accept any interference received, including interference that may cause undesired operation.



Waste electrical and electronic products must not be disposed of with household waste. Please recycle where facilities exist. Check with your Local Authority or Retailer for recycling advice.

### Product Warranty Registration

Please take a moment to register your product online. Go to TRENDnet's website at: [www.trendnet.com/register](http://www.trendnet.com/register)

**TRENDnet**  
20675 Manhattan Place  
Torrance, CA 90501  
USA

Applies to PoE Products Only: This product is to be connected only to PoE networks without routing to the outside plant.

### Note

The Manufacturer is not responsible for any radio or TV interference caused by unauthorized modifications to this equipment. Such modifications could void the user's authority to operate the equipment.

### Advertencia

En todos nuestros equipos se mencionan claramente las características del adaptador de alimentación necesario para su funcionamiento. El uso de un adaptador distinto al mencionado puede producir daños físicos y/o daños al equipo conectado. El adaptador de alimentación debe operar con voltaje y frecuencia de la energía eléctrica domiciliar existente en el país o zona de instalación.

### Technical Support

If you have any questions regarding the product installation, please contact our Technical Support.  
Toll free US/Canada: **1-866-845-3673**  
Regional phone numbers available at [www.trendnet.com/support](http://www.trendnet.com/support)