

TRENDnet®



Quick Installation Guide TEW-821DAP (V2)

Table of Contents

1 English

1. Before You Start
2. Quick Reference
3. Hardware Installation and Configuration

1. Before You Start

Package Contents

- TEW-821DAP
- Quick Installation Guide
- Network cable (1.5m / 5 ft.)
- Power adapter (12V DC, 1A)
- Mounting plate and cable guard

Minimum Requirements

- A computer with an available network LAN port and web browser
- Network switch with an available network LAN port connected to existing network


Optional Equipment

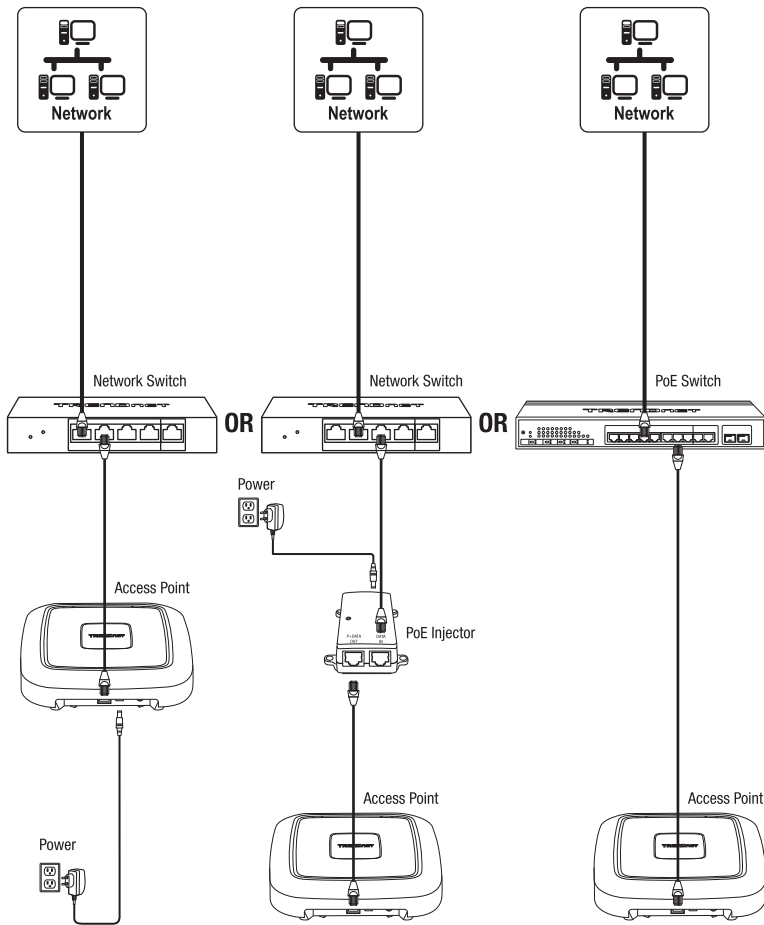
- TRENDnet TPE-113GI (PoE injector) for supplying both power and data over Ethernet to the access point if no PoE sourcing equipment is available such as a PoE switch
- TRENDnet TEW-WLC100 (Wireless LAN Controller) or TEW-WLC100P (PoE+ Wireless LAN Controller) for centralized multiple access point management and monitoring (Note: If using the TEW-WLC100 or TEW-WLC100P, please refer to the quick installation guide included with the wireless controller for initial setup with your access point.)
- Power drill/drill bits and Phillips bit or screwdriver for mounting

Note: The access point complies with the IEEE 802.3af Power over Ethernet (PoE) standard and can be used with other 802.3at or 802.3af PoE compliant devices such as PoE switches and PoE injectors to deliver both power and data to the access point through the network LAN port. If no PoE sourcing equipment is available, alternatively, the included power adapter may be used to power the access point.

2. Quick Reference

Note: By default, the wireless network name/SSID and wireless encryption settings have been pre-configured for your convenience and can be located on the included preset wireless settings sticker or on the device label located on the back of the access point. By default, the access point web management configuration page can be accessed using the URL <http://tew-821dap> or using the default LAN IP address <http://192.168.10.100>. At default settings and initial setup, if the access point is connected to a network with a DHCP server providing IP address settings automatically, the access point will obtain IP address settings from the network DHCP server and if no DHCP server is available, the access point will use the default IP address settings 192.168.10.100 / 255.255.255.0.

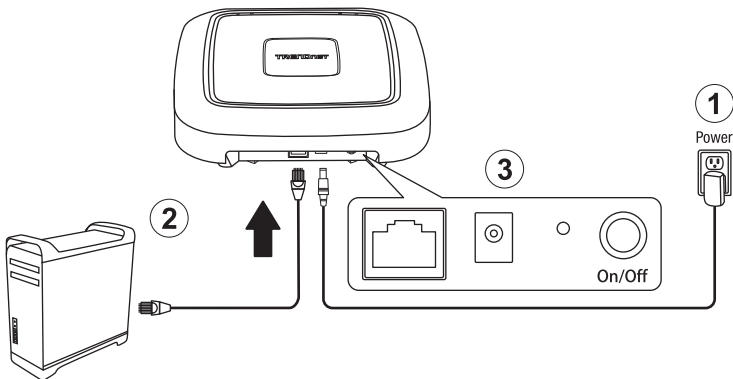
Preset Wireless Settings	
Wi-Fi Name/SSID (AC/N) TRENDnet821_5GHz_XXXX (N/B/G) TRENDnet821_2.4GHz_XXXX	
Wi-Fi Password XXXXXXXXXXXXXX	
Management Login http://tew-821dap username: admin password: admin	



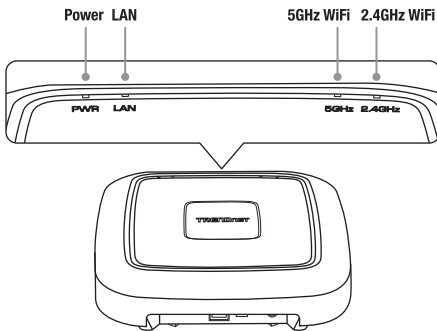
3. Hardware Installation and Configuration

Note: It is strongly recommended to configure the access point first before mounting.

1. Connect a network cable from the network LAN port of your access point to your computer.
2. Connect the included power adapter from a power outlet to your access point power port.
3. Push the Power On/Off switch to turn on the access point.



4. The Power (PWR), LAN, 5GHz and 2.4GHz LEDs will turn on to indicate that the access point is ready.



5. Assign a static IP address to your computer's network adapter in the subnet of **192.168.10.x** (e.g. 192.168.10.25) and subnet mask of **255.255.255.0**.

Note: For more information on assigning a static IP address to your computer's network adapter, please refer to item Q1 in the last section of the installation guide, Installation Tips and Troubleshooting.

6. Open your web browser, type the default URL <http://tew-821dap> or default IP address <http://192.168.10.100> of the wireless access point in the address bar, and then press **Enter**. The default IP address is **192.168.10.100**.



7. Select your language from the Language drop-down list and enter the User name and Password, and then click **Login**. By default:

User Name: **admin**

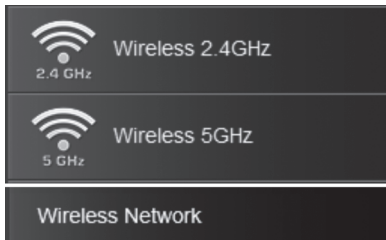
Password: **admin**

8. To change the administrator password used to access the wireless access point configuration page, in the Administrator Settings window, enter the new password in the **New Password** and **Verify Password** fields and click **Next**. Your new password settings will be applied and you will be prompted to log into the access point configuration using the new password settings. Log into the access point configuration using the new password.

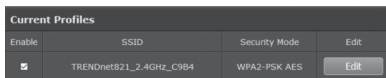
Note: It is strongly recommended to change your access point configuration password.

9. To configure your wireless network name/SSID and wireless encryption settings, click the wireless band you would like to configure **Wireless 2.4GHz** or **Wireless 5GHz** and click on **Wireless Network**.

Note: By default, the wireless network name/SSID and wireless encryption has been pre-configured for your convenience and can be located on the included wireless settings sticker or on the device label located on the back of the access point. If you are modifying the wireless settings, you will need to connect to the access point with your WiFi clients using the new settings.



10. In the Current Profiles, click **Edit** next to the enabled entry.



11. To change the wireless network name/SSID for the selected wireless band, under Wireless Settings, enter the new name in the **SSID** field. Click **Save** at the bottom of the page to temporarily save the settings.

Note: The wireless network name/SSID is the name your WiFi clients will need to search and discover when connecting to your access point wireless network.



12. To change the wireless encryption key for the selected wireless band, under WPA, enter the new encryption key in the **Pre-Shared Key** field. Click **Save** at the bottom of the page to temporarily save the settings.

WPA	
WPA Cipher	AES
Pre-Shared Key	•••••••• <input type="checkbox"/> Show Password
Key Update Interval	3600 seconds

Save


13. In the top left main menu, click **Apply/Discard Changes** and click on **Save & Apply** to save & commit the configuration changes.

Important Note: Configuration changes in the access point web management configuration are not applied until you permanently **Save & Apply** under **Apply/Discard Changes**. This allows you to make multiple configuration changes and applying multiple changes all at the same time. If there are pending changes that have not yet been permanently saved, the **Apply/Discard Changes** button will flash and the number will indicate the number of pending changes that have not yet been permanently saved.

Apply/Discard Changes: 2

Save & Apply

14. To configure your access point LAN IP address settings, click **System** and click **IP Settings**.

-  System
- Wizard
- Operation Mode
- IP Settings
- Spanning Tree Settings

15. Under LAN Connection type, click the **Connection Type** drop-down list to select either **DHCP** (default setting) or **STATIC**. Selecting **DHCP** will set your access point to obtain IP address settings automatically from a DHCP server on your network and selecting **STATIC** will allow you to manually assign your access point IP address settings to meet the IP requirements of your network. If you select **STATIC**, enter the new IP address settings in the **IP Address**, **Subnet Mask**, **Default Gateway**, and **Primary/Secondary DNS Server** fields. After you have completed configuring the access point IP address settings, click **Save** at the bottom of the page to temporarily save the settings. To permanently save the configuration changes, click **Apply/Discard Changes** and click on **Save & Apply**.

The image shows a sequence of three screenshots from a network configuration interface:

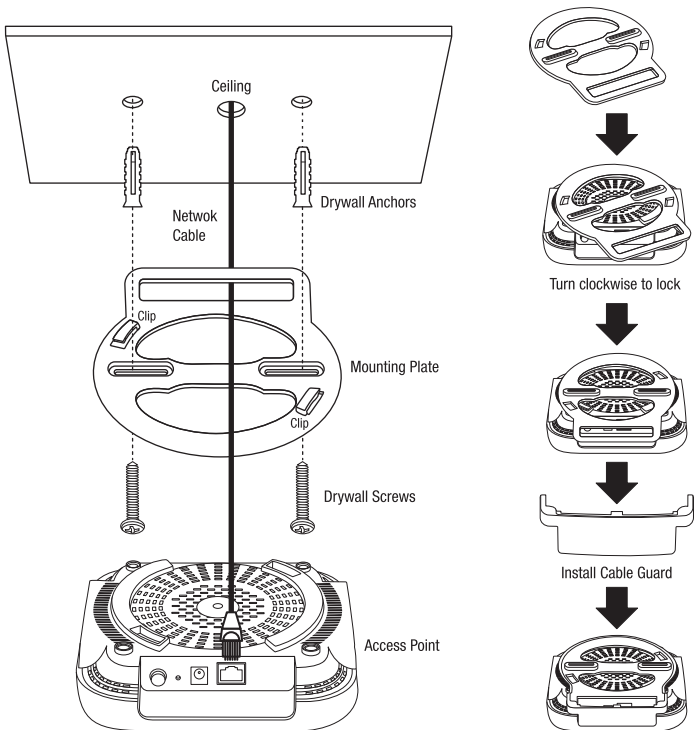
- Top Screenshot:** Shows the 'LAN Connection Type' section with a dropdown menu set to 'DHCP'.
- Middle Screenshot:** Shows the 'LAN Connection Type' section with the dropdown menu set to 'STATIC'. Below it, the 'LAN Interface Setting' section is visible with fields for IP Address (192.168.10.100), Subnet Mask (255.255.255.0), and Default Gateway. The 'DNS Server Setting' section is also visible with fields for Primary and Secondary DNS Servers.
- Bottom Screenshot:** Shows three buttons: 'Save', 'Apply/Discard Changes: 2', and 'Save & Apply'.

16. After you have completed access point configuration, reconfigure your computer's network adapter back to the original settings to obtain IP address settings automatically using DHCP.

Note: For more information on reconfiguring your computer's network adapter to obtain IP address settings automatically using DHCP, please refer to item Q2 in the last section of the installation guide, Installation Tips and Troubleshooting.

17. To mount the access point, first route the network cable through the largest opening in the mounting plate and install the mounting plate to the desired wall or ceiling using the included drywall anchors and screws. Install the mounting plate with the clips facing away from the wall or ceiling. If wall mounting, install the mounting plate with the correct orientation. After the mounting plate is properly installed, connect the network cable to the network LAN port of the access point, align the access point mounting holes with the mounting plate clips and rotate the access point clockwise to lock into place. Finally, install the cable guard by sliding it onto the mounting plate until it locks into place.

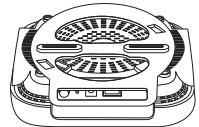
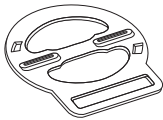
Ceiling mounting



Mounting Plate (Orientation for wall mounting)



This side up



Turn clockwise to lock

To download the latest version of the user's guide, please go to <http://www.trendnet.com/support> and select the **TEW-821DAP** H/W: v2.0R within the Product Download drop-down list.

Declaration of Conformity

TRENDnet[®]

Manufacturer's Name and Address

TRENDnet, Inc.
20675 Manhattan Place
Torrance, CA 90501 USA

Zwolsestraat 156 2587 WB
The Hague The Netherlands



Product Information

Model Number: TEW-821DAP
Product Name: AC1200 Dual Band PoE Indoor Wireless Access Point
Trade Name: TRENDnet

TRENDnet hereby declare that the product is in compliance with the essential requirements and other relevant provisions under our sole responsibility.

Safety EN 62368-1:2014

EMC EN 301489-1 V2.1.1 (2017-02) EN 55035:2017+A11:2020
EN 301489-17 V3.1.1 (2017-02) EN IEC 61000-3-2:2019
EN 55032:2015+A11:2020 (Class B) EN IEC 61000-3-3:2013+A1:2019

Radio Spectrum & Health EN 300328 V2.2.2 (2019-07)
EN 301893 V2.1.1 (2017-05)

Energy Efficiency Regulation (EU) No. 1275/2008, No. 801/2013, (EU) 2019/1782

This product is herewith confirmed to comply with the Directives.

Directives: Low Voltage Directive 2014/35/EU
EMC Directive 2014/30/EU
RED Directive 2014/53/EU
Ecodesign Directive (EU) 2019/1782
RoHS Directive 2011/65/EU
RoHS 3 Directive 2015/863/EU
WEEE Directive 2012/19/EU
REACH Regulation (EC) No. 1907/2006

Person responsible for this declaration.

Place of Issue: Torrance, California, USA

Date: August 12, 2021

Name: Sonny Su

Title: VP of Technology

Signature:

A handwritten signature in black ink, appearing to read 'Sonny Su', is written over a horizontal line.



Declaration of Conformity

TRENDNET[®]

Manufacturer's Name and Address

TRENDnet, Inc.
20675 Manhattan Place
Torrance, CA 90501 USA

Authorized Representative:
Office: +44 (0) 1635 887 399
Unit 4 Rivermead Business Park,
Pipers Way, Thatcham, RG19 4EP England



Product Information

Model Number: TEW-821DAP
Product Name: AC1200 Dual Band PoE Indoor Wireless Access Point
Trade Name: TRENDnet

TRENDnet hereby declare that the product is in compliance with the essential requirements and other relevant provisions under our sole responsibility.

Safety EN 62368-1:2014
EMC BS EN 301489-1 V2.1.1 (2017-02) BS EN 55035:2017+A11:2020
BS EN 301489-17 V3.1.1 (2017-02) BS EN IEC 61000-3-2:2019
BS EN 55032:2015+A11:2020 (Class B) BS EN IEC 61000-3-3:2013+A1:2019

Radio Spectrum & Health EN 300328 V2.2.2 (2019-07)
EN 301893 V2.1.1 (2017-05)

Energy Efficiency Regulation (EU) No. 1275/2008, No. 801/2013, (EU) 2019/1782

This product is herewith confirmed to comply with the Directives.

Directives: Electrical Equipment (Safety) Regulations 2016
Electromagnetic Compatibility Regulations 2016
Radio Equipment Regulations 2017
The Ecodesign for Energy-Related Products and Energy Information (Amendment) (EU Exit) Regulations 2019
The Restriction of the Use of Certain Hazardous Substances in Electrical and Electronic Equipment Regulations 2012
The Waste Electrical and Electronic Equipment Regulations 2013 (as amended)
The REACH Enforcement Regulations 2008 (as amended)

Person responsible for this declaration.

Place of Issue: Torrance, California, USA

Date: August 12, 2021

Name: Sonny Su

Title: VP of Technology

Signature:

A handwritten signature in black ink, appearing to read 'Sonny Su', is written over a horizontal line.



Installation Tips and Troubleshooting

Q1: How do I configure my computer's network adapter with a static IP address?

Note: Please note that although the following procedures are provided to follow for your operating system network adapter settings to be used as general guidelines, however, it is strongly recommended that you consult your computer or operating system manufacturer directly for assistance on the proper procedure for configuring network settings. If you are experiencing difficulties, please contact your computer or operating system manufacturer for assistance.

Windows 2000/XP/Vista/7/8/8.1/10

1. On your keyboard, press **Windows Logo + R** keys simultaneously to bring up the Run dialog box.
2. In the dialog box, type **ncpa.cpl** to bring up the Network Connections window.
3. Right-click the **Local Area Connection** or **Ethernet** icon, click **Properties**, and double-click **Internet Protocol Version 4 (TCP/IPv4)**.
4. Then click **Use the following IP address** and assign your network adapter a static IP address. See example static IP address settings below.
 - IP address: 192.168.10.25
 - Subnet mask: 255.255.255.0
5. Click **OK** on both TCP/IPv4 Properties and Local Area Connection Properties windows.

MAC OS X

1. From the **Apple** drop-down list, select **System Preferences**.
2. Click the **Network** icon.
3. From the **Location** drop-down list, select **Automatic**.
4. Select and view your Ethernet connection.
 - For MAC OS 10.4, from the **Show** drop-down list, select **Built-in Ethernet** and select the **TCP/IP** tab
 - For MAC OS 10.5 and above, in the left column, select **Ethernet**.
5. Configure TCP/IP to use a static IP.
 - From the **Configure IPv4** or **Configure** drop-down list, select **Manually** and assign your network adapter a static IP address. Then click the **Apply** or **Apply Now** button. See example static IP address settings below.
 - IP address: 192.168.10.25
 - Subnet mask: 255.255.255.0
6. You may be prompted to restart your computer to apply the new IP address settings.

Q2: I configured my computer's network adapter with a static IP address, how do I reconfigure my computer's network adapter to default settings and obtain an IP address automatically using DHCP?

Note: Please note that although the following procedures are provided to follow for your operating system network adapter settings to be used as general guidelines, however, it is strongly recommended that you consult your computer or operating system manufacturer directly for assistance on the proper procedure for configuring network settings. If you are experiencing difficulties, please contact your computer or operating system manufacturer for assistance.

Windows 2000/XP/Vista/7/8/8.1/10

1. On your keyboard, press **Windows Logo + R** keys simultaneously to bring up the Run dialog box.
2. In the dialog box, type **ncpa.cpl** to bring up the Network Connections window.
3. Right-click the **Local Area Connection** or **Ethernet** icon, click **Properties**, and double-click **Internet Protocol Version 4 (TCP/IPv4)**.
4. Then click **Obtain an IP address automatically** and **Obtain DNS server address automatically**.
5. Click **OK** on both TCP/IPv4 Properties and Local Area Connection Properties windows.

MAC OS X

1. From the **Apple** drop-down list, select **System Preferences**.
2. Click the **Network icon**.
3. From the **Location** drop-down list, select **Automatic**.
4. Select and view your Ethernet connection.
 - In MAC OS 10.4, from the **Show** drop-down list, select **Built-in Ethernet** and select the **TCP/IP** tab.
 - In MAC OS 10.5 and above, in the left column, select **Ethernet**.
5. Configure TCP/IP to use a static IP.
 - From the **Configure IPv4** or **Configure** drop-down list, select **Using DHCP** and click the **Apply** or **Apply Now** button.
6. You may be prompted to restart your computer to apply the new IP address settings.

Q3: I typed http://192.168.10.100 in my Internet Browser Address Bar, but an error message says “The page cannot be displayed.” How can I access the wireless access point management page?

1. Double check all physical cable and port connections.
2. Make sure the PWR/LAN/2.4GHz/5GHz LEDs on the wireless access point front panel are on.
3. Make sure your computer's network adapter is configured with a static IP address. (Refer to Q1 for instructions on assigning a static IP address).
4. Make sure your computer is connected to the access point network LAN port and LAN LED is on.
5. Since the access point default IP address is 192.168.10.100, make sure there are no other network devices assigned an IP address of 192.168.10.100

Note: After checking all of the recommended items above, please attempt to access the wireless access point management page again.

Q4: I changed the IP address of the wireless access point, but I forgot it. How do I reset my wireless access point to factory default?

Using a paper clip, push and hold the reset button on the rear panel of the wireless access point and release after 15 seconds. The default IP address of the access point is 192.168.10.100. The default user name and password is “admin”.

Q5: How do I find the current IP address of my computer's network adapter?

Note: Please note that although the following procedures are provided to follow for your operating system network adapter settings to be used as general guidelines, however, it is strongly recommended that you consult your computer or operating system manufacturer directly for assistance on the proper procedure for configuring network settings. If you are experiencing difficulties, please contact your computer or operating system manufacturer for assistance.

Command Prompt Method

Windows 2000/XP/Vista/7/8/8.1/10

1. On your keyboard, press **Windows Logo + R** keys simultaneously to bring up the Run dialog box.
2. In the dialog box, type **cmd** to bring up the command prompt.
3. In the command prompt, type **ipconfig /all** to display your IP address settings.

MAC OS X

1. Navigate to your **Applications** folder and open **Utilities**.
2. Double-click on **Terminal** to launch the command prompt.
3. In the command prompt, type **ipconfig getifaddr <en0 or en1>** to display the wired or wireless IP address settings.

Note: **en0** is typically the wired Ethernet and **en1** is typically the wireless Airport interface.

Graphical Method

Windows XP/Vista/7/8/8.1/10

1. On your keyboard, press **Windows Logo + R** keys simultaneously to bring up the Run dialog box.
2. In the dialog box, type **ncpa.cpl** to bring up the Network Connections window.
3. Double-click the Local Area Connection icon and click the Details button to view the current IP address settings.

Note: The computer's network adapter must be enabled and connected to view the current IP address settings.

MAC OS X

1. From the **Apple** menu, select **System Preferences**.
2. In System Preferences, from the **View** menu, select **Network**.
3. In the Network preference window, click a network port (e.g., Ethernet, AirPort, modem). If you are connected, you'll see your IP address settings under "Status:"

Federal Communication Commission Interference Statement

This device complies with Part 15 of the FCC Rules. Operation is subject to the following two conditions: (1) This device may not cause harmful interference, and (2) this device must accept any interference received, including interference that may cause undesired operation.

This equipment has been tested and found to comply with the limits for a Class B digital device, pursuant to Part 15 of the FCC Rules. These limits are designed to provide reasonable protection against harmful interference in a residential installation. This equipment generates, uses and can radiate radio frequency energy and, if not installed and used in accordance with the instructions, may cause harmful interference to radio communications. However, there is no guarantee that interference will not occur in a particular installation. If this equipment does cause harmful interference to radio or television reception, which can be determined by turning the equipment off and on, the user is encouraged to try to correct the interference by one of the following measures:

- Reorient or relocate the receiving antenna.
- Increase the separation between the equipment and receiver.
- Connect the equipment into an outlet on a circuit different from that to which the receiver is connected.
- Consult the dealer or an experienced radio/TV technician for help.

FCC Caution: Any changes or modifications not expressly approved by the party responsible for compliance could void the user's authority to operate this equipment.

This transmitter must not be co-located or operating in conjunction with any other antenna or transmitter. Operations in the 5.15-5.25GHz band are restricted to indoor usage only.

This device meets all the other requirements specified in Part 15E, Section 15.407 of the FCC Rules.

Radiation Exposure Statement:

This equipment complies with FCC radiation exposure limits set forth for an uncontrolled environment. This equipment should be installed and operated with minimum distance 20cm between the radiator & your body.

Note: The country code selection is for non-US model only and is not available to all US model. Per FCC regulation, all WiFi product marketed in US must fixed to US operation channels only.

Industry Canada statement:

This device complies with ISED's licence-exempt RSSs. Operation is subject to the following two conditions: (1) This device may not cause harmful interference, and (2) this device must accept any interference received, including interference that may cause undesired operation.

Le présent appareil est conforme aux CNR d'ISED applicables aux appareils radio exempts de licence. L'exploitation est autorisée aux deux conditions suivantes : (1) le dispositif ne doit pas produire de brouillage préjudiciable, et (2) ce dispositif doit accepter tout brouillage reçu, y compris un brouillage susceptible de provoquer un fonctionnement indésirable.

Caution:

- (i) the device for operation in the band 5150-5250 MHz is only for indoor use to reduce the potential for harmful interference to co-channel mobile satellite systems;
- (ii) the maximum antenna gain permitted for devices in the bands 5250-5350 MHz and 5470-5725 MHz shall be such that the equipment still complies with the e.i.r.p. limit;
- (iii) the maximum antenna gain permitted for devices in the band 5725-5850 MHz shall be such that the equipment still complies with the e.i.r.p. limits as appropriate;
- (iv) where applicable, antenna type(s), antenna models(s), and worst-case tilt angle(s) necessary to remain compliant with the e.i.r.p. elevation mask requirement set forth in section 6.2.2.3 shall be clearly indicated.

Avertissement:

Le guide d'utilisation des dispositifs pour réseaux locaux doit inclure des instructions précises sur les restrictions susmentionnées, notamment :

- (i) les dispositifs fonctionnant dans la bande 5150-5250 MHz sont réservés uniquement pour une utilisation à l'intérieur afin de réduire les risques de brouillage préjudiciable aux systèmes de satellites mobiles utilisant les mêmes canaux;
- (ii) le gain maximal d'antenne permis pour les dispositifs utilisant les bandes de 5 250 à 5 350 MHz et de 5 470 à 5 725 MHz doit être conforme à la limite de la p.i.r.e.;
- (iii) le gain maximal d'antenne permis (pour les dispositifs utilisant la bande de 5 725 à 5 850 MHz) doit être conforme à la limite de la p.i.r.e. spécifiée, selon le cas;
- (iv) lorsqu'il y a lieu, les types d'antennes (s'il y en a plusieurs), les numéros de modèle de l'antenne et les pires angles d'inclinaison nécessaires pour rester conforme à l'exigence de la p.i.r.e. applicable au masque d'élévation, énoncée à la section 6.2.2.3, doivent être clairement indiqués

Radiation Exposure Statement:

This equipment complies with ISED radiation exposure limits set forth for an uncontrolled environment. This equipment should be installed and operated with greater than 20cm between the radiator & your body.

Déclaration d'exposition aux radiations:

Cet équipement est conforme aux limites d'exposition aux rayonnements ISED établies pour un environnement non contrôlé. Cet équipement doit être installé et utilisé à plus de 20cm entre le radiateur et votre corps.

TRENDNET®

Certifications

This device complies with Part 15 of the FCC Rules. Operation is subject to the following two conditions:
 (1) This device may not cause harmful interference, and
 (2) This device must accept any interference received.
 Including interference that may cause undesired operation.



Waste electrical and electronic products must not be disposed of with household waste. Please recycle where facilities exist. Check with your Local Authority or Retailer for recycling advice.

Applies to PoE Products Only: This product is to be connected only to PoE networks without routing to the outside plant.

Note

The Manufacturer is not responsible for any radio or TV interference caused by unauthorized modifications to this equipment. Such modifications could void the user's authority to operate the equipment.

Advertencia

En todos nuestros equipos se mencionan claramente las características del adaptador de alimentación necesario para su funcionamiento. El uso de un adaptador distinto al mencionado puede producir daños físicos y/o daños al equipo conectado. El adaptador de alimentación debe operar con voltaje y frecuencia de la energía eléctrica domiciliaria existente en el país o zona de instalación.

Note

The equipment power supply cord shall be connected to a socket-outlet with earthing connection.

Advertencia

Le cordon d'alimentation de l'appareil doit être raccordé à une prise de courant avec mise à la terre.

For EU/EFTA and UK(NI), this product is used in the listed countries.

	AL	AT	BA	BE	BG	CH	CY	CZ	DE	DK	ES
	FI	FR	GR	HR	HU	IE	IT	LT	LU	NL	PL
	PT	RO	SI	SK	UK	US	SE	SI	SK	UK(NI)	

This product may be operated in 2.4GHz and/or 5GHz bands, and is restricted to indoor use only when operating in 5.15-5.35GHz in the listed EU countries and UK(NI).
 Please refer to the Warranty Guide for full details on restrictions.
 (DE) Dieses Produkt kann mit dem 2.4-GHz und/oder 5-GHz-Band betrieben werden und ist in den genannten EU-Ländern und in UK(NI) nur zur Verwendung in Innenräumen bestimmt, wenn es mit 5,15-5,35 GHz betrieben wird.
 (FR) Ce produit peut fonctionner dans les bandes 2,4 GHz et/ou 5 GHz, et est limité à une utilisation en intérieur uniquement lorsqu'il fonctionne dans les bandes 5,15-5,35 GHz dans les pays de l'UE et au Royaume-Uni (NI).
 (ES) Este producto puede utilizarse en las bandas de 2,4 GHz y/o 5 GHz, y está restringido para su uso solo en interiores cuando se utilice a 5,15-5,35 GHz en los países indicados de la UE y en el Reino Unido (NI).
 (IT) Questo prodotto può essere utilizzato nelle bande 2.4GHz e/o 5GHz, ed è limitato all'uso interno solo quando funziona in 5.15-5.35GHz nei paesi UE elencati e nel Regno Unito (NI).
 (NL) Dit product kan worden gebruikt op 2.4GHz en/of 5GHz-bandbreedtes en is beperkt tot enkel binnenruimte wanneer gebruikt op 5.15-5.35GHz in de EU en het UK (NI).
 (PL) Ten produkt może być używany wyłącznie w pasmach 2,4 GHz i/lub 5 GHz oraz tylko wewnątrz budynków podczas działania w paśmie 5,15-5,35 GHz w wymienionych krajach UE i Wielkiej Brytanii (NI).
 (CZ) Tento výrobek lze provozovat v pásmech 2,4 GHz a/nebo

5 GHz a v pásmu 5,15-5,35 GHz je omezen pouze na interní použití v uvedených zemích EU a Velké Británie (Severní Irsko).
 (HU) A termék a 2,4 GHz-es és/vagy 5 GHz-es sávokon üzemeltethető, és a felsorolt EU-országokban és az Egyesült Királyságban (Eszaki-Írországban) csak beltérben használható, ha az 5,15-5,35 GHz-es frekvencián működik. (NO) Dette produktet kan brukes på båndene 2,4 GHz og/eller 5 GHz og er begrenset til innendørs drift ved bruk av 5,15-5,35 GHz i EU-landene på listen i Startbruttanien (DK) Dette produkt kan benyttes på frekvensområderne på 2.4GHz og/eller 5GHz og er kun til indendørs brug, når det bruges på 5,15-5,35GHz i de angivne EU-lande og Storbritannien (NI).
 (FI) Tämä tuotetta voidaan käyttää 2,4 GHz:n ja/tai 5 GHz:n kaistoilla, ja se on rajoitettu ainoastaan sisäkäyttöön, kun sitä käytetään 5,15-5,35 GHz:n taajuudella luotetuissa EU-maissa ja Yhdistyneissä kuningaskunnissa (ja Pohjois-Irannissa).
 (SE) Den här produkten kan använda frekvensbanden 2,4 GHz och/eller 5 GHz och är begränsad till endast inomhusanvändning när den används 5,15-5,35 GHz i de uppräknade EU-länderna och UK (NI).
 (PT) Este produto pode ser operado nas bandas de 2,4 GHz e/ou 5 GHz e é restrito para utilização em espaços interiores apenas quando opera na frequência de 5,15-5,35 GHz nos países listados da UE e no Reino Unido (NI).
 (GR) Αυτό το προϊόν μπορεί να χρησιμοποιηθεί στις ζώνες συχνοτήτων 2,4GHz ή/και 5GHz, και η χρήση επιτρέπεται μόνο σε εσωτερικούς χώρους όταν λειτουργεί στις 5,15-5,35GHz στις αναρτημένες χώρες της ΕΕ και στο Η. Β. (NI).
 (HR) Ovaž proizvod može raditi u frekvencijskim opsegima od 2,4 GHz i/lub 5 GHz i njegova uporaba je ograničena na

zatvorene prostore samo kada radi u frekvencijskom opsegu od 5,15-5,35 GHz u navedenim državama članicama EU-a i u Ujedinjenom kraljevstvu (Severnoje Irskoj).
 (SI) Ta izdelek lahko deluje v 2,4- in/ali 5-GHz pasu in je pri delovanju v pasu od 5,15 do 5,35 GHz v navedenih državah EU in VB omejen samo na notranjo uporabo.
 (RO) Acest produs poate fi operat în benzile de 2,4GHz și/sau 5GHz, și este restricționat la utilizare în interior la funcționare în 5,15-5,35GHz în țările din UE listate și în UK(NI).
 (BG) Този продукт може да се използва в 2,4 GHz и/или 5GHz честотни пелти и е ограничен до използване в закрито сале когато работи в диапазонa 5,15-5,35GHz в изброените страни от ЕС и Великобритания (Северна Ирландия).
 (SK) Tento výrobok môže byť používaný v pásmach 2,4 GHz a/nebo 5 GHz a jeho používanie je obmedzené len na interier, ak sa používa v pásme 5,15 až 5,35 GHz v uvedených krajinách EU a Spojenom kráľovstve a Severnom Írsku.
 (IS) Þessi vörur má nota á tönnubílu 2,4 GHz og/ella tönnubílu 5 GHz, þó einungis innanvörðu með notkun á milli 5,15-5,35 GHz í úgreiddum ESB-landum og Bretlandi (N.I).
 (MT) Dan il-prodott jista' jgħadenn f'indoor f'bandi ta' 2,4GHz u/lub 5GHz, u huwa ristrett għall-ugħu għewia biss meta jgħadenn f'5,15-5,35GHz fil-pajjiżi elenkati tal-UE u tar-Renju Unit(NI).
This product can be used in UK
 (UK) This product may be operated in 2.4GHz and/or 5GHz bands, and is restricted to indoor use only when operating in 5.15-5.35GHz in the UK.
 Please refer to the Warranty Guide for full details on restrictions.

Technical Support

If you have any questions regarding the product installation, please contact our Technical Support.
 Toll free US/Canada: **1-855-373-4741**
 Regional phone numbers available at www.trendnet.com/support

TRENDnet

20675 Manhattan Place
 Torrance, CA 90501
 USA

Product Warranty Registration

Please take a moment to register your product online. Go to [TRENDnet's website at: www.trendnet.com/register](http://www.trendnet.com/register)