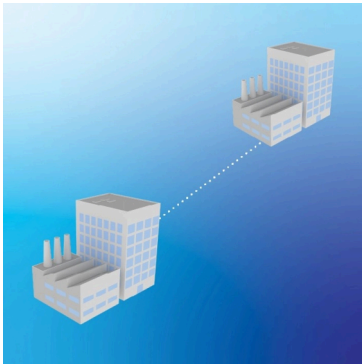


SFP+ Single Mode LC Module (40km)

TEG-10GBS40 (v3.xR)

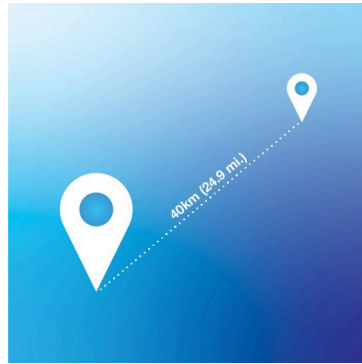
- Transmission distance of up to 40km (24.9 mi.)
- Duplex LC optical interface
- Supports data rates of up to 10.31Gbps
- Supports 1550nm single mode network transmissions
- Low Electromagnetic Interference (EMI) design
- Compliant with IEEE 802.3ae 10 Gigabit Ethernet
- Digital Diagnostics Monitoring (DDM) support
- Small Form-Factor Pluggable (SFP+) and Multi-Source Agreement (MSA) compliant
- Low power consumption
- Lifetime Warranty

TRENDnet's SFP+ Single Mode LC Modules are compatible with standard SFP+ slots found on network switches and fiber media converters. The single mode 10G SFP+ transceiver is equipped with a duplex LC fiber connection interface, and supports high-speed data rates up to 10.31Gbps. All TRENDnet 10G SFP+ fiber modules support connections for reliable, long-distance network applications.



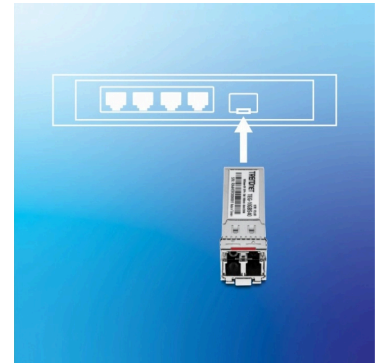
Fiber Applications

Long distance fiber networking for manufacturing, business parks, and school campus applications.



Fiber Mode/Distance

Single mode 10G SFP+ transceiver spans distances up to 40km (24.9 mi.) at 10G speeds.



Compatibility

Hot-pluggable SFP+ transceiver works with an MSA compliant 10G SFP+ slot.

FEATURES



Fiber Distance

Ideal for reliable, long-range networking distances



Fiber Interface

Single mode fiber SFP+ transceiver supports LC-type duplex connector



Fiber Wavelength

Single mode fiber SFP+ module compatible with 1550nm transmissions



Data Rate

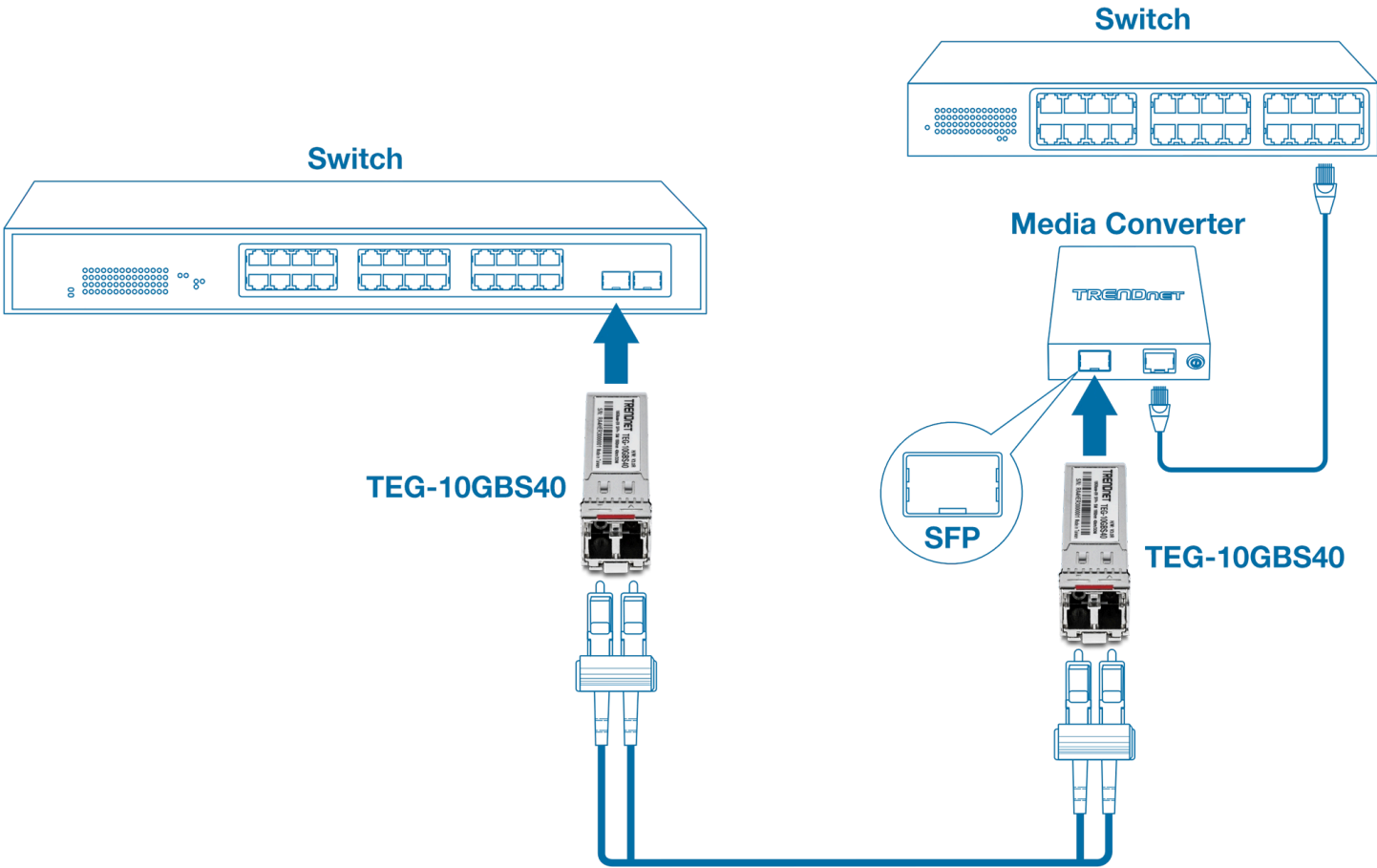
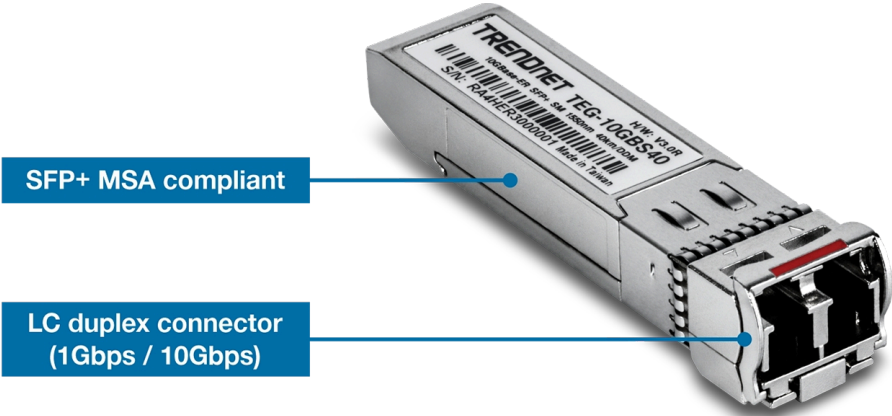
10GB SFP supports data rates up to 10.31Gbps



Hot-Pluggable SFP

Hot-pluggable 10G SFP+ transceiver compatible with an MSA compliant SFP slot

NETWORKING SOLUTION



SPECIFICATIONS

Standards

- IEEE 802.3
- IEEE 802.3u
- IEEE 802.3z
- IEEE 802.3ae
- 10GBASE-ER

Device Interface

- SFP+ MSA Compliant
- LC duplex connector (1Gbps / 10Gbps)

Data Transfer Rate

- Up to 10.3Gbps

Wavelength

- 1550nm

Optical Output Power

- -2 ~ 2 dBm

Distance

- 40km (24.9 mi.)

Special Features

- DDM support

Sensitivity

- -16 dBm

Power

- Max.consumption: 0.8W

Operating Temperature

- 0° – 70° C (32° – 158° F)

Operating Humidity

- Max. 95% non-condensing

Dimensions

- 58 x 13.4 x 12.6mm (2.2 x 0.5 x 0.5 in.)

Weight

- 18g (0.6 oz.)

Certifications

- CE
- FCC

Warranty

- Lifetime Warranty

Package Contents

- TEG-10GBS40

All references to speed are for comparison purposes only. Product specifications, size, and shape are subject to change without notice, and actual product appearance may differ from that depicted herein.

TRENDnet offers a lifetime warranty for all of its metal-enclosed network switches that have been purchased in the United States/Canada on or after 1/1/2015. Cooling fan and internal power supply carry a one-year warranty.