



## 16-Port 10/100Mbps Switch TE100-S16D (V1.0R)

The 16-Port 10/100Mbps Switch, model TE100-S16D, is a reliable Plug-and-Play solution in a compact form factor. Boost network efficiency with a total switching capacity of 3.2Gbps with Full-Duplex mode.

Diagnostic LEDs on the front of the switch help with network troubleshooting. IEEE 802.3x flow control and 4K MAC address entry support provide uninterrupted connectivity. This switch is well suited for networking room, departmental group, and home office applications.

## FEATURES

- 16 x 10/100Mbps Auto-Negotiation, Auto-MDIX Ethernet ports
- Compliant with IEEE 802.3/IEEE 802.3u standards
- 3.2Gbps switching fabric
- Store-and-Forward switching architecture with non-blocking wire-speed performance
- IEEE 802.3x Flow Control support
- Provides 4k MAC address entries
- 1.25Mbits RAM data buffer
- Diagnostic LEDs
- Compact housing
- Plug & Play installation
- 3 year limited warranty

# 16-Port 10/100Mbps Switch

TE100-S16D (V1.0R)

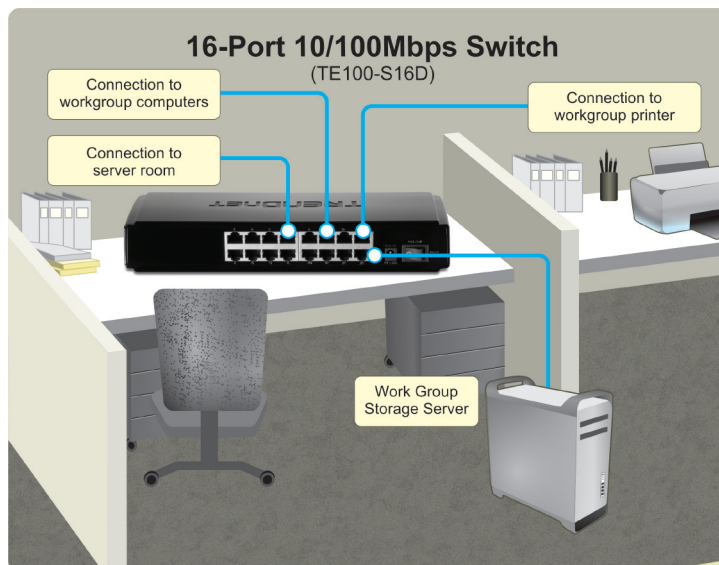
10/100  
SWITCHES

## SPECIFICATIONS

### HARDWARE

<b>Standards</b>	<ul style="list-style-type: none"><li>• IEEE 802.3 10Base-T</li><li>• IEEE 802.3u 100Base-TX</li><li>• IEEE 802.3x Flow Control</li></ul>
<b>Network Media</b>	<ul style="list-style-type: none"><li>• Ethernet: UTP/STP Cat. 5 up to 100 m</li><li>• Fast Ethernet: UTP/STP Cat. 5, 5e, 6, up to 100 m</li></ul>
<b>Data Rate</b>	<ul style="list-style-type: none"><li>• Ethernet: 10Mbps/20Mbps (half/full-duplex)</li><li>• Fast Ethernet: 100Mbps/200Mbps (half/full-duplex)</li></ul>
<b>Protocol / Topology</b>	<ul style="list-style-type: none"><li>• CSMA /CD, Star</li></ul>
<b>Power Consumption</b>	<ul style="list-style-type: none"><li>• 4.8 Watts (max.)</li></ul>
<b>Switch Fabric</b>	<ul style="list-style-type: none"><li>• 3.2Gbps forwarding capacity</li></ul>
<b>Interface</b>	<ul style="list-style-type: none"><li>• 16 x 10/100Mbps Auto-MDIX RJ-45 ports</li></ul>
<b>RAM Data Buffer</b>	<ul style="list-style-type: none"><li>• 1.25Mbits</li></ul>
<b>Filtering Table</b>	<ul style="list-style-type: none"><li>• 4K entries</li></ul>
<b>Diagnostic LED</b>	<ul style="list-style-type: none"><li>• Power, Link/ACT</li></ul>
<b>Power</b>	<ul style="list-style-type: none"><li>• Input: 100~240V, 50/60Hz, 0.4A</li><li>• Output: 5V DC, 2A external power adapter</li></ul>
<b>Dimension</b>	<ul style="list-style-type: none"><li>• 265 x 122.7 x 41 mm (10.4 x 4.8 x 1.6 in.)</li></ul>
<b>Weight</b>	<ul style="list-style-type: none"><li>• 410 g (14.4 oz.)</li></ul>
<b>Temperature</b>	<ul style="list-style-type: none"><li>• Operating: 0° ~ 40° C (32° ~ 104° F); Storage: -10° ~ 70° C (14° ~ 158° F)</li></ul>
<b>Humidity</b>	<ul style="list-style-type: none"><li>• Max. 90% (non-condensing)</li></ul>
<b>Certifications</b>	<ul style="list-style-type: none"><li>• CE, FCC</li></ul>

## NETWORKING SOLUTIONS



## PACKAGE CONTENTS

TE100-S16D

Multi-Language Quick Installation Guide

Power adapter (5V DC, 2A)

## RELATED PRODUCTS

<b>TE100-S16g</b>	16-Port 10/100Mbps GREENnet Switch
<b>TE100-S24D</b>	24-Port 10/100Mbps Switch
<b>TEG-S50g</b>	5-Port Gigabit GREENnet Switch

## CONTACT INFORMATION

**TRENDnet**

20675 Manhattan Place, Torrance, CA 90501 USA

Tel: 1-310-961-5500

Fax: 1-310-961-5511

Web: [www.trendnet.com](http://www.trendnet.com)

Email: [sales@trendnet.com](mailto:sales@trendnet.com)

**1-888-326-6061**

