

Quick Installation Guide

		Ethernet bandwidth
--	--	--------------------

Note: Please read this Quick Installation Guide prior to installing the hub.

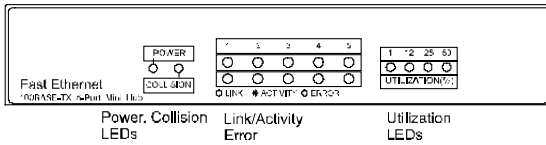
PACKAGE CONTENTS

- Fast Ethernet 100Base-TX 5-port Mini Hub
- AC to DC (+12VDC 800mA) Power Adapter
- Mounting Hardware
- This Quick Installation Guide

HARDWARE DESCRIPTION

The Front Panel

The front panel indicates LEDs status. The LED indicators will help you monitor the status of each port and connected segments. There are 5 LEDs on the front panel; Power (PWR), Collision (COL), Link/Activity, Error and Utilization.



LED Function	Color	Description
Power	Green	Lit: Power On Unlit: Power Off
Collision	Amber	Lit: Data collision occurs
Link/Activity	Green	Lit: Indicates the adapter is connected to the hub Blinking: Data receiving
Error	Yellow	Blinking: Data error occurs Lit: Indicates partition and isolation of port
Utilization	Green	Indicates the hub's traffic of the Fast

The Rear Panel

The rear panel is equipped with DC power socket, 5 Shielded Twisted-Pair (STP) ports, and one Uplink slide switch.

Use any one of the STP ports for connection to a 100Base-TX node using Category 5 UTP cabling. The uplink port provides cascading capabilities to the second 100Base-TX Fast Ethernet hub.

The DC power socket accepts DC power input from +9V to +12V input. The 5-port Mini hub includes internal switching power supply which can accept wider range of DC power input.



HARDWARE INSTALLATION

Quick Installation Procedure

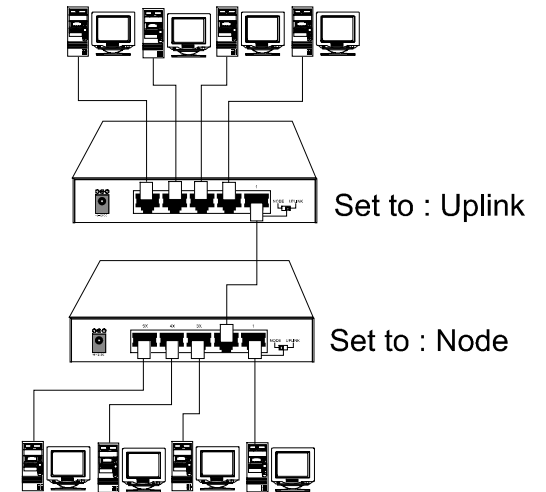
1. Place hub on a level and smooth surface.
2. Connect power adapter to 120V AC power outlet. Connect the Adapter's DC jack to the hub's DC input.
3. Connect workstations to hub using straight-through Category 5 UTP cabling.
 - ⚠ Connect one end of the cable (RJ-45 connector) to the port on hub and connect the other end to the RJ-45 port on the Fast Ethernet card in the workstation. The maximum cable distance between the hub and the workstation is 100 meters.
4. Connect each device (up to 5) on your network using the same process in Step 3.

Uplink Multiple Hubs

If you want to connect more than 5 ports, you can use the hub's uplink port to connect to another 100Base-TX hub. In compliance with IEEE802.3u Class II specification, two repeaters can be cascaded by using a 5 meter RJ45 cable in a single collision domain.

1. Connect a Category 5 UTP cable to the Uplink port # 1 of the first hub and switch the Uplink Switch to Uplink position.
2. Connect the other end of the UTP cable to port # 1 - 5 of the second hub. If the cable is connected to port #1, switch the Uplink Switch to Node mode.
3. Connect workstations to hub using Category 5 UTP cabling.
4. Connect each device (up to 5) on your network using the same process in Step 3.
5. Attach the power adapter to hub's DC jack and an AC outlet.

⚠ Do not connect uplink port # 1 of the first hub to uplink port # 1 of second hub when Uplink switches are set to same mode.



Product Specifications

Standard	IEEE802.3u, 100Base-TX Class II Repeater
Number of 100Base-TX ports	5
Uplink port	Shared Port # 1 (Slide Switch)
Cable Distance	5 Meters from hub to hub 100 Meters from hub to workstation
Cabling	UTP Category 5
Expandability	8 ports on class II standard
LEDs	Power – Green Collision – Amber 5 Link/Activity – Green 5 Error – Yellow 4 Utilization – Green
Power Adapter	AC to DC (+12V 800mA)
Temperature	Operation 0 to 50°C]
Humidity	5% to 95% non-condensing
Dimensions	160 x 120 x 30 mm
Certification	FCC Class A, CE, VCCI

Copyright Notice

Contents are subject to revision without prior notice.
All rights reserved.

Trademarks

All other trademarks belong to their respective owners.

FCC Compliance Statement

Note: This equipment has been tested and found to comply with the limits for a Class A digital device, pursuant to Part 15 of the FCC Rules. These limits are designed to provide reasonable protection against harmful interference when the equipment is operated in residential installation. This equipment generated, uses, and can radiate radio frequency energy and if not installed and used in accordance with the instruction manual may cause harmful interference to radio communications. However, there is no guarantee that interference will not occur in a particular installation. If this equipment does cause harmful interference to radio or television reception, which can be determined by turning the equipment off and on, the user is encouraged to try to correct the interference by one or more of the following measures:

- . Reorient or relocate the receiving antenna.
- . Increase the separation between the equipment and receiver.
- . Connect the equipment into an outlet on a circuit different from that to which the receiver is connected.
- . Consult the dealer or an experienced radio TV technician for help.

NOTICE:

- I. The changes or modifications not expressly approved by the party responsible for compliance could void the user's authority to operate the equipment.
- II. Shielded interface cables and AC power cord, must be used in order to comply with emission limits.

CE Mark Declaration of Conformance

This is to certify that this product complies with ISO/IEC Guide 22 and EN45014. It conforms to the following specifications:

EMC : EN55022(1988)/CISPR 22(1985)	Class B
EN60555-2(1987)	Class A
prEN55024-2(1990)/IE801-2(1991)	4KV CD, 8KV AD
prEN55024-3(1991)/IE801-3(1984)	3V V/m
PrEN55024-4(1992)/IE801-4(1988)	1KV - (power line) 0.5KV - (signal line)

This product complies with the requirements of the Low Voltage Directive 73/23/EEC and the EMC Directive 89/336/EEC.

TE100-H5E 100Base-TX 5-Port Mini Hub

Quick Installation Guide

TRENDware International, Inc.
2421 W. 205th St., Ste. D-102
Torrance, CA 90501
Tel: 310-328-7795
Fax: 310-328-7798
www.trendware.com

P/N : 7743901011