



TEG-PCISXM2 **64-bit 1000Base-SX Fiber Gigabit PCI Adapter**

TRENDnet's TEG-PCISXM2 32/64-bit 1000-Base SX Compatible Fiber Gigabit Adapter boosts your network performance with up to 2000Mbps speed in Full Duplex Mode. The adapter supports most operating systems including Win98SE/ME/NT4/2000/XP, Linux and Netware. TRENDnet's TEG-PCISXM2 is ideal for high traffic Power Servers, Network Gaming and Video Conferencing Multi-Media Workstations.



FEATURES

- ...→ IEEE 802.3z 1000Base-SX Compliant
- ...→ Support 32/64-Bit PCI Local Bus Master high-speed operation of Rev. 2.2 specification
- ...→ One SC type connector for 50/125 μ and 62.5/125 μ Multimode Fiber cable
- ...→ Supports Full-Duplex mode and doubles the bandwidth to 2000Mbps
- ...→ Supports Win98SE/ME/NT4/2000/XP, Linux and Netware
- ...→ Built-in FIFO buffer reduces overhead of Memory Transfer
- ...→ 802.3x Full Duplex Flow Control, including Automatic Transmission of Pause Frames based on Rx FIFO thresholds
- ...→ 128KB RAM On-Chip Buffer
- ...→ Plug and Play Installation
- ...→ 5-Year Warranty

BENEFITS

- ...→ **Performance:**
The full-duplex Gigabit adapter brings high bandwidth with up to 2000Mbps speeds.
- ...→ **User Friendliness:**
Plug and Play with drivers support all popular network operating systems.
- ...→ **Flexibility:**
Connect to fiber type network
- ...→ **Cost-Effectiveness:**
Provides the benefit of Gigabit Ethernet networking with the familiarity of Ethernet that operates in existing 64-bit PCI Bus.



TEG-PCISXM2

64-bit 1000Base-SX Fiber Gigabit PCI Adapter

SPECIFICATIONS

Standards:

- IEEE 802.3z 1000Base-SX Compliant

Protocol:

- CSMA/CD

Media Type:

- SC Type Connector for 50/125 μ and 62.5/125 μ

Host Interface:

- 32/64-bit PCI Rev.2.2

Diagnostic LEDs:

- Link: and ACT

Data Transfer Rate:

- 2000Mbps (Full Duplex)

Power Consumption:

- 4.25 watts (max)

Driver Support:

- Windows 98SE/ME/NT4/2000/XP,
- Linux Kernel 2.4.x or later
- Netware 5.x. 6x

Temperature:

- Operating: 0° to 40° C (32° to 104°F)
- Storage: -10° to 70° C (14° to 158°F)

Humidity:

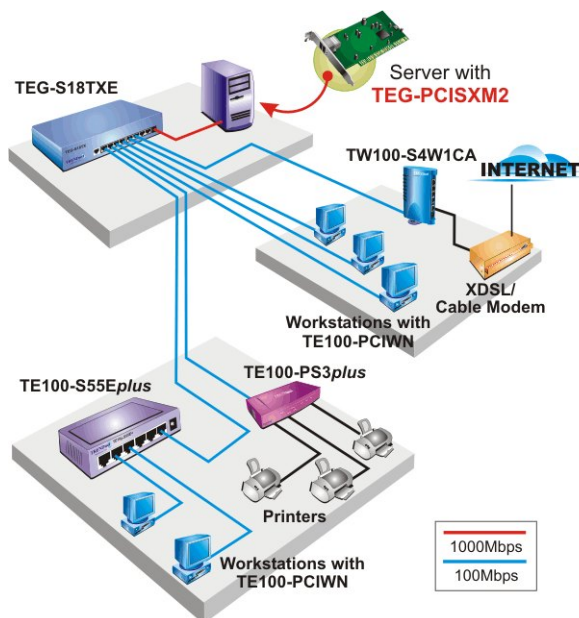
- Operating: 10 % to 90 %
- Storage: 5% ~ 90%

Certifications:

- FCC Class B, CE Class B, VCCI Class B



NETWORKING SOLUTIONS



To Order Please Call:
1-888-326-6061

PRODUCT INFORMATION

- > **TEG-PCISXM2:**
64-Bit 1000Base-SX Fiber Gigabit PCI Adapter
- > **TEG-S18TXE:**
9-port 10/100/1000Mbps Copper Gigabit Switch
- > **TE100-PCIWN:**
10/100Mbps Fast Ethernet PCI Adapter/Realtek Chipset
- > **TE100-S55Eplus:**
5-port 10/100Mbps NWay Mini Switch
- > **TE100-PS3plus:**
10/100Mbps Multiple Protocol Direct Print Server
(3 Parallel)

ORDERING INFORMATION

TRENDware International, Inc.
3135 Kashiwa Street
Torrance, CA. 90505. USA
Tel: 310-891-1100
Fax: 310-891-1111
Web: www.TRENDNET.com
Email: sales@trendware.com

