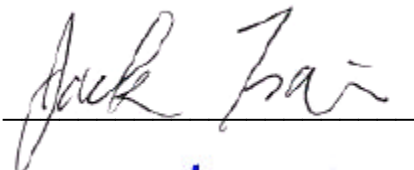
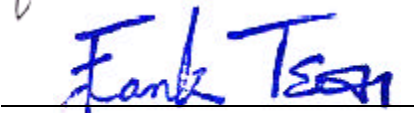


**TRENDware International Inc.**  
**TEW-230APB**  
**EMC Test Report**

Report No.	C51ET285
Specifications	ETSI EN 301 489-1 V1.4.1 (August, 2002) ETSI EN 301 489-17 V1.2.1 (April, 2002)
Applicant	TRENDware International Inc.
Applicant address	3135 Kashiwa Street Torrance, CA 90505, USA.
Items tested Model No.	802.11b 11Mbps Wireless Access Point TEW-230APB
Results	<b>Compliance</b> (As detailed within this report)
Date	10/27/2003 (month / day / year) (Sample received) 11/03/2003 (month / day / year) (Test)
Prepared by	 Project Engineer (Jack Tsai)
Authorized by	 General Manager (Frank Tsai)
Issue date	November 18, 2003 (month / day / year)
<b>Modifications</b>	<b>None</b>
Tested by	Training Research Co., Ltd.
Office at	No. 255, Nan Yang Street, Shijr City, Taipei Hsien 221, Taiwan
Laboratory at	1F, No. 255, Nan Yang Street, Shijr City, Taipei Hsien 221, Taiwan
Open site at	No. 15, Lane 530, Balian Rd., Sec. 1, Shijr City, Taipei Hsien 221, Taiwan

**Conditions of issue:**

**This test report shall not be reproduced except in full, without written approval of TRC. And the test result contained within this report only relate to the sample submitted for testing.**

**★ Aut. No. ELA 131**

***Generally Statement:***

**The results appear in the following order:**

Electromagnetic compatibility and radio spectrum matters (ERM); Electro Magnetic Compatibility (EMC) standard for radio equipment and services;

**Part 1:** Common Technical requirements

**Part 17:** Specific conditions for Wideband data and HIPERLAN equipment.

The results exhibits below only apply to particular samples tested and to the specific tests carried out, as detailed in this Test Report. The issue of this Test Report does not indicate any measure of Approval, Certification, Supervision, Control or Surveillance by Training Research Co., Ltd. of any product. No extract, abridgement or abstraction from a Test Report may be published or used to advertise a product without the written consent of the Director, Training Research Co., Ltd. who reserves the absolute right to agree or reject all or any of the details of any item of publicity for which consent may be sought.

## Contents

<b>CHAPTER 0</b>	<b>EMISSION AND SUSCEPTIBILITY STANDARDS.....5</b>
	EMISSION STANDARDS..... 5
	SUSCEPTIBILITY STANDARDS..... 5
<b>CHAPTER 1</b>	<b>INTRODUCTION.....6</b>
	DESCRIPTION OF EUT ..... 6
	TEST METHOD ..... 6
	LIST OF SUPPORT EQUIPMENT..... 7
<b>CHAPTER 2</b>	<b>EMISSION AND IMMUNITY REQUIREMENTS</b>
	<b>OVERVIEW.....10</b>
	EMISSION (ETSI EN 301 489-1)..... 10
	IMMUNITY (ETSI EN 301 489-1)..... 11
<b>CHAPTER 3</b>	<b>PERFORMANCE CRITERIA.....12</b>
	ETSI EN 301 489-17, SUBCLAUSE 6.2 ..... 12
<b>CHAPTER 4</b>	<b>ELECTROSTATIC DISCHARGES IMMUNITY TEST 18</b>
	ESD TEST INFORMATION:..... 18
	EN 61000-4-2 PHOTO OF TEST SET-UP ..... 20
<b>CHAPTER 5</b>	<b>RADIO FREQUENCY IMMUNITY TEST (RS).....21</b>
	RS TEST INFORMATION:..... 21
	EN 61000-4-3 PHOTO OF TEST SET-UP ..... 23
<b>CHAPTER 6</b>	<b>ELECTRIC FAST TRANSIENT/ BURST REQUIREMENTS TEST .....24</b>
	EFT TEST INFORMATION: ..... 24
	EN 61000-4-4 PHOTO OF TEST SET-UP ..... 26
<b>CHAPTER 7</b>	<b>SURGE IMMUNITY TEST.....27</b>
	SURGE TEST INFORMATION:..... 27
	EN 61000-4-5 PHOTO OF TEST SET-UP ..... 29

<b>CHAPTER 8</b>	<b>CONTINUOUS WAVE VOLTAGE IMMUNITY TEST</b>	<b>30</b>
	CS TEST INFORMATION:.....	30
	TEST INSTRUMENTS: .....	32
	EN 61000-4-6 PHOTO OF TEST SET-UP .....	33
<b>CHAPTER 9</b>	<b>VOLTAGE DIP / INTERRUPTION TEST</b> .....	<b>34</b>
	DIP TEST INFORMATION: .....	34
	EN 61000-4-11 PHOTO OF TEST SET-UP .....	35
<b>CHAPTER 10</b>	<b>HARMONICS TEST</b> .....	<b>36</b>
<b>CHAPTER 11</b>	<b>VOLTAGE FLUCTUATION AND FLICKER TEST</b> .....	<b>37</b>
<b>CHAPTER 12</b>	<b>CONDUCTED EMISSION TEST</b> .....	<b>38</b>
	TEST CONDITION AND SETUP .....	38
	LIST OF TEST INSTRUMENT .....	38
	CONDUCTED TEST PLACEMENT (FRONT VIEW AND SIDE VIEW).....	39
	TEST RESULT OF CONDUCTED EMISSIONS FOR MAINS POWER.....	40
<b>CHAPTER 13</b>	<b>RADIATED EMISSION TEST</b> .....	<b>44</b>
	TEST CONDITION AND SETUP .....	44
	LIST OF TEST INSTRUMENT .....	44
	RADIATED TEST PLACEMENT (FRONT VIEW AND SIDE VIEW).....	45
	TEST RESULT OF SPURIOUS RADIATED EMISSIONS .....	46
<b>APPENDIX A</b>	.....	<b>50</b>
	BRAND NAME AND MODEL NAME LIST .....	50

## Chapter 0 Emission and Susceptibility Standards

### Emission Standards

Emission Standard	European Standard	International Standard
( )	EN 61000-6-3/2001	IEC 61000-6-3/1996
( )	EN 61000-6-4/2001	IEC 61000-6-4/1997
( )	EN 50081-1/1992	
( )	EN 50081-1/8.93	
( )	EN 55014/4.93	CISPR 14: 1993
( )	EN 55015/12.93	CISPR 15: 1992
( )	EN 55011/91	CISPR 11: 1990
( X )	EN 55022/98	CISPR 22: 1997
( X )	EN 61000-3-2/2000	IEC 61000-3-2: 2000 (Modified)
( X )	EN 61000-3-3/1995	IEC 61000-3-3: 1994 + A1/2001

### Susceptibility Standards

Susceptibility Standard	European Standard	International Standard
( )	EN 61000-6-1/2001	IEC 61000-6-1/1997
( )	EN 61000-6-2/2001	IEC 61000-6-2/1999
( )	EN 50082-1/1997	
( )	EN 50082-2/1994	
( )	EN 55024/1998	CISPR 24/1997
( )	EN 55020/2002	CISPR 20/2002
( X )	EN 61000-4-2:1995	IEC 61000-4-2:1995
( X )	EN 61000-4-3:1996	IEC 61000-4-3:1995
( X )	EN 61000-4-4:1995	IEC 61000-4-4:1995
( X )	EN 61000-4-5:1995	IEC 61000-4-5:1995
( X )	EN 61000-4-6:1996	IEC 61000-4-6:1996
( )	EN 61000-4-8:1993	IEC 61000-4-8:1993
( X )	EN 61000-4-11:1994	IEC 61000-4-11:1994
( )	EN 55014-2:1993	CISPR/F (Sec) 159

## Chapter 1 Introduction

### Description of EUT

<b>Product Name</b>	:	802.11b 11Mbps Wireless Access Point
<b>Model</b>	:	TEW-230APB
<b>Frequency Range</b>	:	2.400GHz ~ 2.4835GHz
<b>Operating Frequency</b>	:	2.412GHz ~ 2.472GHz
<b>Support Channel</b>	:	13 Channels
<b>Modulation Skill</b>	:	DBPSK, DQPSK, CCK
<b>Power Type</b>	:	(1) Power adapter#1 Mfg.: DVE Model: DSA-0151A-05A I/P: 200-240VAC, 50-60Hz, 0.4A; O/P: 5VDC, 2.4A Power cable 105cm length, non-shielded, no ferrite core (2) Power adapter#2 Model: RH41-0501200DG I/P: 230VAC, 50Hz, 78mA ; O/P: 5VDC, 1.2A, 6VA Power cable 190cm length, non-shielded, no ferrite core
<b>Data Cable</b>	:	RJ45, 30m length, non-shielded, no ferrite core

### Test Method

1. The EUT can be equipped with two kinds of antennas. Besides, it has an integral (Undetachable) antenna, and the detachable antenna.  
**The detachable antenna is affixed to the EUT using a unique connector, which allows for replacement of a broken antenna, but does not use a standard antenna jack or electrical connector.**
2. Using the LAN port of PC and software provided by the manufacturer to control the EUT. During test, making EUT to the linking mode.

### **List of Support Equipment**

In order to construct the minimum testing, following equipment were used as the support units.

- |                 |   |  |
|-----------------|---|--|
| <b>Notebook</b> | : | <b>IBM Think Pad X20</b>   |
| Model No.       | : | 2662-11T   |
| Serial No.      | : | FX-1192200/09  |
| FCC ID          | : | N/A, DoC Approved (Declaration of Confirmation) Approved   |
| 檢磁              | : | 3892B565   |
| <b>Adaptor</b>  | : | <b>IBM</b>   |
| Model No.       | : | PA2450U  |
| Serial No.      | : | 02K6654  |
| FCC ID          | : | N/A, DoC Approved  |
| Power type      | : | I/P: 100 ~ 240vac, 50 ~ 60 Hz, 0.5A ~ 1.2A; O/P: 16Vdc, 4.5A   |
| Power cord      | : | Non-shielded, 1.80m long, Plastic, with ferrite core   |
| <b>PC</b>       | : | <b>IBM 6840; HP Pavilion</b>   |
| Model No.       | : | 6840MJV; P8574A  |
| Serial No.      | : | 96CC 0C1; TW21920435   |
| FCC ID          | : | N/A, DoC   |
| 檢磁              | : | 3892I279; 3902H097   |
| Power type      | : | 100 ~ 127VAC / 4A, 200 ~ 240VAC/2A, 50 ~ 60Hz, 5A, Switching   |
| Power cord      | : | Non-shielded, 2.33 m length, Plastic hood, No ferrite core   |
| <b>Printer</b>  | : | <b>HP</b>  |
| Model No.       | : | C6464A, C2642A   |
| Serial No.      | : | TH16LEB5PK, SG69A196GV   |
| FCC ID          | : | None (DoC Approved), B94C2642X   |
| 檢磁              | : | 3892H381, None   |
| Power type      | : | Switching adaptor  |
| Power cord      | : | Non-shielded, 173cm length, No ferrite core<br>(between adaptor and AC source)<br>Non-shielded, 180cm length, with ferrite core<br>(between printer and adaptor) |
| Data cable      | : | Shielded, 1.70m length, No ferrite core  |



**Monitor** : **HP 15' Color Monitor, HP pavilion mx70**  
Model No. : D2827A, P1283A  
Serial No. : KR91379759, TWTBQ00397  
FCC ID : C5F7NFCMC1518X  
檢磁 : 3872B039  
Power type : 110 ~ 240 VAC / 50 ~ 60 Hz, Switching  
Power cord : Shielded, 1.83m length, No ferrite core  
Data cable : Shielded, 1.46m length, with two ferrite cores

**Modem** : **ACEEX**  
Model No. : XDM-56V14  
FCC ID : IFAXDM-56V14  
Power type : Linear  
Power cord : Non-shielded, 1.9m length, No ferrite cord  
Data cable : RS232, Shielded, 1.2m length, No ferrite core  
RJ11C x 2, 7' length non-shielded, No ferrite core

**Mouse** : **HP**  
Model No. : M-S34  
Serial No. : LZB90714106, LZC84446151  
FCC ID : DZL211029  
檢磁 : 4862A011  
Power type : By PC  
Power cord : Non-shielded, 1.88m length, No ferrite core

**Keyboard** : **HP**  
Model No. : 5187-0343, SK-2501K  
Serial No. : BE21700404, M981216213  
FCC ID : DoC Approved, GYUR38SK  
檢磁 : 3892C981, 3862A621  
Power type : By PC  
Data cable : Shielded, 1.73m length, Plastic hood, No ferrite core

**USB Gamepad : Rockfire**  
Model No. : QF-337uv  
Serial No. : 10600545, KR91379759  
FCC ID : None (CE approval)  
檢磁 : 3862A574  
Power type : By computer  
Data Cable : Shielded, 1.81m long, Plastic, with ferrite core

**Notebook : ASUSTek Computer**  
Model No. : AB00F  
Serial No. : 24NP016361  
FCC ID : DoC Approved  
BSMI : 41016012  
Power type : 100 ~ 240VAC, 1A 50/60 Hz, Switching

**Adaptor of PC : LITE-ON Electronics, Inc.**  
Model No. : PA-1530-01  
Serial No. : 00151184  
FCC ID : DoC Approved  
檢磁 : 3882B259  
Power cable : Non-shielded, 1.72m length, Plastic hood, No ferrite core  
(Between power adaptor and AC power source)  
Power cable : Shielded, 1.48m length, Plastic hood, with ferrite core  
(Between power adaptor and notebook)

**WLAN Card : Gemtek Technology Co., Ltd.**  
Model No. : C911003  
FCC ID : MXF-C911003

**LAN Card : D-Link**  
Model No. : DFE-530TX  
Serial No. : 0050BAE32FF3, 0050BAE3158B  
FCC ID : N/A, DoC Approved  
Power type : Powered by PC

## **Chapter 2 Emission and Immunity Requirements Overview**

### **Emission (ETSI EN 301 489-1)**

Phenomenon	Application	Equipment test requirement			Reference Subclause in the present document
		Radio and ancillary equipment for fixed use (base station equipment)	Radio and ancillary equipment for vehicular use (mobile equipment)	Radio and ancillary equipment for portable use (portable equipment)	
Radiated emission	Enclosure of ancillary equipment	Applicable for stand alone testing	Applicable for stand alone testing	Applicable for stand alone testing	8.2
Conducted emission	DC power input/output port	Applicable	Applicable	Not applicable	8.3
Conducted emission	AC mains input/output port	Applicable	Not applicable	Not applicable	8.4
Harmonic current emissions	AC mains input port	Applicable	Not applicable	Not applicable	8.5
Voltage fluctuations and flicker	AC mains input port	Applicable	Not applicable	Not applicable	8.6

**Immunity (ETSI EN 301 489-1)**

Phenomenon	Application	Equipment test requirement			Reference Subclause in the present document
		Radio and ancillary equipment for fixed use (base station equipment)	Radio and ancillary equipment for vehicular use (mobile equipment)	Radio and ancillary equipment for portable use (portable equipment)	
RF electromagnetic field ( 80MHz to 1GHz)	Enclosure	Applicable	Applicable	Applicable	9.2
Electrostatic discharge	Enclosure	Applicable	Applicable	Applicable	9.3
Fast transients common mode	Signal, telecommunication and control ports, DC and AC power ports	Applicable	Not applicable	Not applicable	9.4
RF common mode 0.15 MHz to 80MHz	Signal, telecommunication and control ports, DC and AC power ports	Applicable	Applicable	Not applicable	9.5
Transients and surges	DC power input ports	Not applicable	Applicable	Not applicable	9.6
Voltage dips and interruptions	AC mains power input ports	Applicable	Not applicable	Not applicable	9.7
Surges, line to line and line ground	AC mains power input ports, telecommunication ports	Applicable	Not applicable	Not applicable	9.8

### Chapter 3 Performance Criteria

**ETSI EN 301 489-17, Subclause 6.2**

<b>Table 1 Performance criteria</b>		
<b>Criteria</b>	<b>During test</b>	<b>After test</b>
<b>A</b>	Shall operate as intended May show degradation of performance ( <b>NOTE 1</b> ) Shall be no loss of function Shall be no unintentional transmissions	Shall operate as intended Shall be no degradation of performance ( <b>NOTE 2</b> ) Shall be no loss of function Shall be no loss of stored data or user programmable functions
<b>B</b>	May show loss of function (one or more) May show degradation of performance ( <b>NOTE 1</b> ) No unintentional transmissions	Function shall be self-recoverable Shall operate as intended after recovering Shall be no degradation of performance ( <b>NOTE 2</b> ) Shall be no loss of stored data or user programmable functions
<b>C</b>	May be loss of function (one or more)	Functions shall be recoverable by the operator Shall operate as intended after recovering Shall be no degradation of performance ( <b>NOTE 2</b> )

**NOTE 1:**

Degradation of performance during the test is understood as a degradation to a level not below a minimum performance level specified by the manufacturer for the use of the apparatus as intended. In some cases the specified minimum performance level may be replaced by a permissible degradation of performance.

If the minimum performance level or the permissible performance degradation is not specified by the manufacturer then either of these may be derived from the product description and documentation (including leaflets and advertising) and what the user may reasonably expect from the apparatus if used as intended.

**NOTE 2:**

No degradation of performance after the test is understood as no degradation below a minimum performance level specified by the manufacturer for the use of the apparatus as intended. In some cases the specified minimum performance level may be replaced by a permissible degradation of performance. After the test no change of actual operating data or user retrievable data is allowed.

If the minimum performance level or the permissible performance degradation is not specified by the manufacturer then either of these may be derived from the product description and documentation (including leaflets and advertising) and what the user may reasonably expect from the apparatus if used as intended.

## ETSI EN 301 489-1

### Performance criteria for Continuous phenomena applied Transmitters (CT)

If no further details are given in the relevant part of the present document dealing with the particular type of radio equipment, the following *general performance criteria for continuous phenomena* shall apply.

#### **During and after the test:**

The apparatus shall continue to operate as intended. No *degradation of performance* or *loss of function* is allowed below a permissible performance level specified by the manufacturer when the apparatus is used as intends. In some cases this permissible performance level may be replaced by a permissible loss of performance.

#### **During the test:**

The EUT shall not unintentionally transmit or change its actual operating state and stored data. If the *minimum performance level* or the *permissible loss* is not specified by the manufacturer, then either of these may be deduced from the product description and documentation and what the user may reasonably expect form the apparatus if used as intended.

For ancillary equipment the pass/failure criteria supplied by the manufacturer (see subclause 6.4) shall apply, unless the ancillary equipment is tested in connection with a receiver or transmitter in which case the corresponding performance criteria above shall apply.

### Performance criteria for Transient phenomena applied Transmitters (TT)

If no further details are given in the relevant part of the present document dealing with the particular type of radio equipment, the following *general performance* criteria for transient phenomena shall apply.

#### **After the test:**

The apparatus shall continue to operate as intended. No *degradation of performance* or *loss of function* is allowed below a permissible performance level specified by the manufacturer when the apparatus is used as intends. In some cases this permissible performance level may be replaced by a permissible loss of performance.

#### **During the test:**

The EMC exposure to an electromagnetic phenomenon, a *degradation of performance* is, however, allowed. No change of the actual mode of operation (e.g. unintended transmission) or stored data is allowed.

If the minimum performance level or the permissible loss is not specified by the manufacturer, Then either of these may be deduced from the product description and documentation and what the user may reasonably expect form the apparatus if used as intended.

For ancillary equipment the pass/failure criteria supplied by the manufacturer (see subclause 6.4) shall apply, unless the ancillary equipment is tested in connection with a receiver or transmitter in which case the corresponding performance criteria above shall apply.

**Performance criteria for Continuous phenomena applied Receivers (CR)**

If no further details are given in the relevant part of the present document dealing with the particular type of radio equipment, the following *general performance* criteria for continuous phenomena shall apply.

**During and after the test:**

The apparatus shall continue to operate as intended. No *degradation of performance or loss of function* is allowed below a permissible performance level specified by the manufacturer when the apparatus is used as intends. In some cases this permissible performance level may be replaced by a permissible loss of performance.

**During the test:**

The EUT shall not unintentionally transmit or change its actual operating state and stored data. If the minimum performance level or the permissible loss is not specified by the manufacturer, then either of these may be deduced from the product description and documentation and what the user may reasonably expect form the apparatus if used as intended.

For ancillary equipment the pass/failure criteria supplied by the manufacturer (see subclause 6.4) shall apply, unless the ancillary equipment is tested in connection with a receiver or transmitter in which case the corresponding performance criteria above shall apply.



**Performance criteria for Transient phenomena applied Receivers (TR)**

If no further details are given in the relevant part of the present document dealing with the particular type of radio equipment, the following *general performance* criteria for transient phenomena shall apply.

**After the test:**

The apparatus shall continue to operate as intended. No *degradation of performance or loss of function* is allowed below a permissible performance level specified by the manufacturer when the apparatus is used as intends. In some cases this permissible performance level may be replaced by a permissible loss of performance.

**During the test:**

The EMC exposure to an electromagnetic phenomenon, a degradation of performance is, however, allowed. No change of the actual mode of operation (e.g. unintended transmission) or stored data is allowed.

If the minimum performance level or the permissible loss is not specified by the manufacturer, then either of these may be deduced from the product description and documentation and what the user may reasonably expect form the apparatus if used as intended.

For ancillary equipment the pass/failure criteria supplied by the manufacturer (see subclause 6.4) shall apply, unless the ancillary equipment is tested in connection with a receiver or transmitter in which case the corresponding performance criteria above shall apply.

## ETSI EN 301 489-17

### **Performance criteria for Continuous phenomena applied Transmitters (CT)**

The performance criteria A shall apply.

Tests shall be repeated with the EUT in standby mode (if applicable) to ensure that unintentional transmission does not occur. In systems using acknowledgement signals, it is recognized that an ACKnowledgement (ACK) or Not ACKnowledgement (NACK) transmission may occur, and steps should be taken to ensure that any transmission resulting from the application of the test is correctly interpreted.

### **Performance criteria for Transient phenomena applied Transmitters (TT)**

The performance criteria B shall apply, except for voltage dips of 100ms and voltage interruptions of 5000 ms duration, for which performance criteria C shall apply.

Tests shall be repeated with the EUT in standby mode (if applicable) to ensure that unintentional transmission does not occur. In system using acknowledgement signals, it is recognized that an acknowledgement (ACK) or not-acknowledgement (NACK) transmission may occur, and steps should be taken to ensure that any transmission resulting from the application of the test is correctly interpreted.

### **Performance criteria for Continuous phenomena applied Receivers (CR)**

The performance criteria A shall apply.

Where the EUT is a *transceiver*, under no circumstances, shall the transmitter operate unintentionally during the test. In systems using acknowledgement signals, it is recognized that an ACK or NACK transmission may occur, and steps should be taken to ensure that any transmission resulting from the application of test is correctly interpreted.

### **Performance criteria for Transient phenomena applied Receivers (TR)**

The performance criteria B shall apply, except for voltage dips of 100ms and voltage interruptions of 5000 ms duration, for which performance criteria C shall apply.

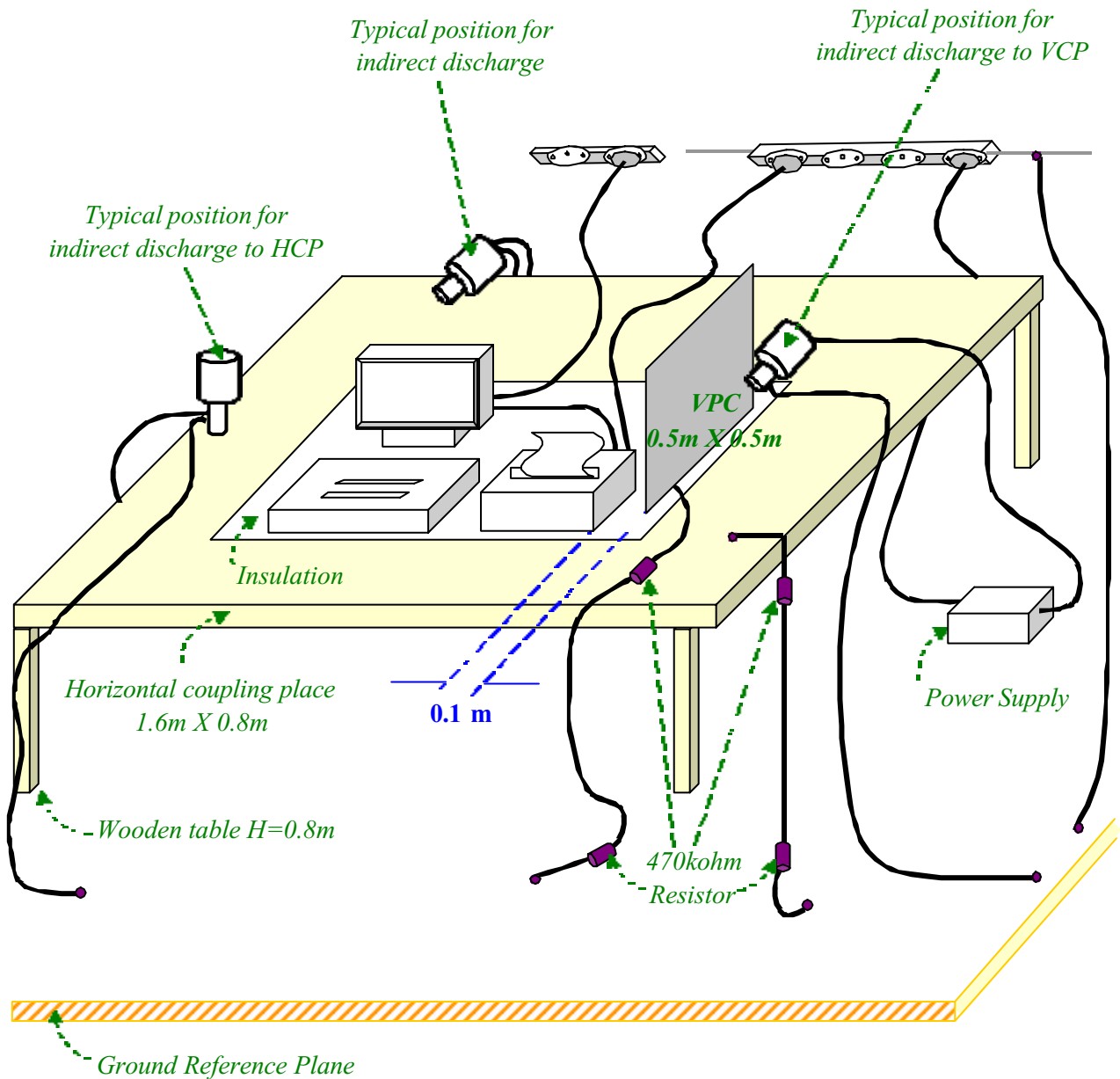
Where the EUT is a *transceiver*, under no circumstances, shall the transmitter operate unintentionally during the test. In systems using acknowledgement signals, it is recognized that an ACK or NACK transmission may occur, and steps should be taken to ensure that any transmission resulting from the application of test is correctly interpreted.

## Chapter 4 Electrostatic Discharges Immunity Test

### ESD Test information:

Test setup: Shielded room, According to EN 61000-4-2

Test setup for table-top equipment at laboratory tests:



**Test levels: (Apply Level 2 and Level 3)**

1a —Contact discharge		1b —Air discharge	
Level	Test voltage (kV)	Level	Test voltage (kV)
1	2	1	2
2	4	2	4
3	6	3	8
4	8	4	15
X	Special	X	Special

NOTE: “X” is an open level. The level has to be specified in the dedicated equipment specification. If higher voltages than those shown are specified, special test equipment may be needed.

**Test Voltage:** ( X ) 4KV contact discharge ( X ) 8KV air discharge

**Indirect Discharges:** ( X ) HCP ( X ) VCP

**Polarity:** ( X ) Positive ( X ) Negative

**Test mode:** Ref. Test method of Chapter 1

**Test points:** enclosure and connectors of EUT.

**Test instruments:**

Name	Model Number	Serial Number	Selected
Best Plus BURST ESD SURGE TRANSIENTS	Best Plus V6.2	199749-019SC	
BEST EMC Test Instrument	BEST EMC V2.3 (-8, -9)	199918-006SC	
KeyTek Instrument ESD Test system	Series 2000	9204303/9204310 9209226/9301395	X
NoiseKen Electrostatic Discharge Simulator	ESS-100L(A)	2100C03605	
NoiseKen Electrostatic Discharge Gun	TC-815P	2100C03566	

**Comment:**

Performance Criteria: (According to ETSI EN 301 489-1)

( X ) Enclosure	( ) CT	( X ) TT	( ) CR	( X ) TR
( X ) Signal and control ports	( ) CT	( X ) TT	( ) CR	( X ) TR

***EN 61000-4-2 PHOTO OF TEST SET-UP***

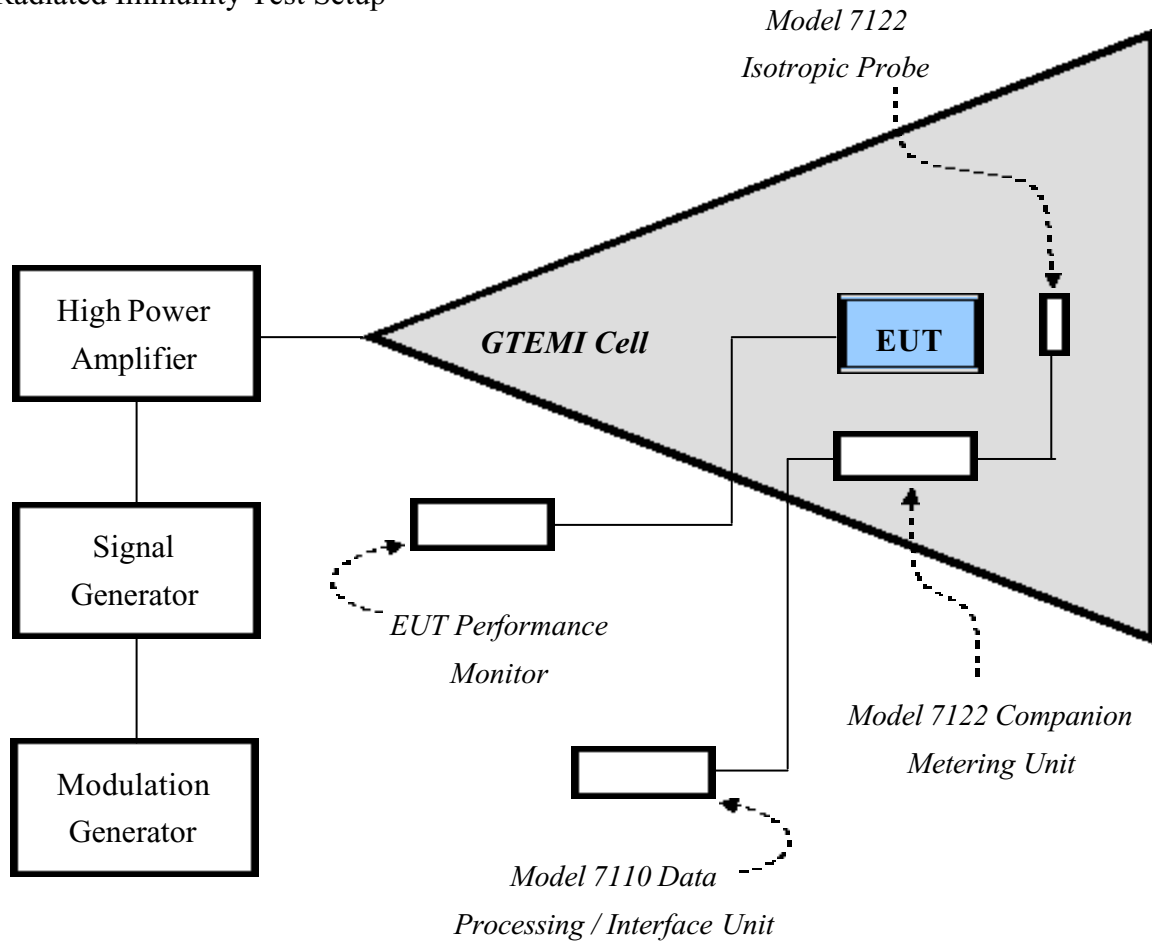


## Chapter 5 Radio Frequency Immunity Test (RS)

### RS Test information:

Test setup: GTEM cell

Radiated Immunity Test Setup



Test levels: **(Apply Level 2)**

Level	Test Field Strength (V/m)
1	1
2	3
3	10
X	Special
NOTE: the "X" is an open test level. This level may be given in the product specification.	

**Field strength:**     3V/m at 80 ~ 1000 MHz  
                            3 V/m at 1400 ~ 2000 MHz

**Modulation:**         FM %  
                            80% AM Modulation with 1KHz  
                            80% AM Modulation with 400Hz when signal is modulated at 1kHz  
                            900 KHz± 5 KHz with PM 200 Hz and 100% depth

**Step size:**          1% step size

**Sweep time:**       2.5 Second

**Test mode:**    Ref. Test method of Chapter 1

**Test instruments:**

Name	Model Number	Serial Number	Selected
EMCO GTEM	5317	9411-1123	X
EMCO Probe	7122	9406-1194	X
EMCO METERING UNIT	7122	9406-1194	X
EMCO data interface	7110	9410-1273	X
HP Personal Computer	D3178A	3438S00486	X
HP Signal Generator	8657B	2928U00286	X
HP Signal Generator	83711A	3429A00434	X
IFI Wideband Amplifier	SMX50	467-0795	X
Min-circuit Amplifier	GFL-2500VH	N/A	X
WG radiation meters	EMC-20	BN2244129	X
WG E-filed	2244 / 90.20	Z-0001	X
HP Transmission Test Set	4935A	3115A24046	X
B & K Precision Sound Level Meter	Type 2232	1810564	X

**Comment:**

Performance Criteria: **(According to ETSI EN 301 489-1)**

Enclosure     CT     TT     CR     TR

**EN 61000-4-3 PHOTO OF TEST SET-UP**

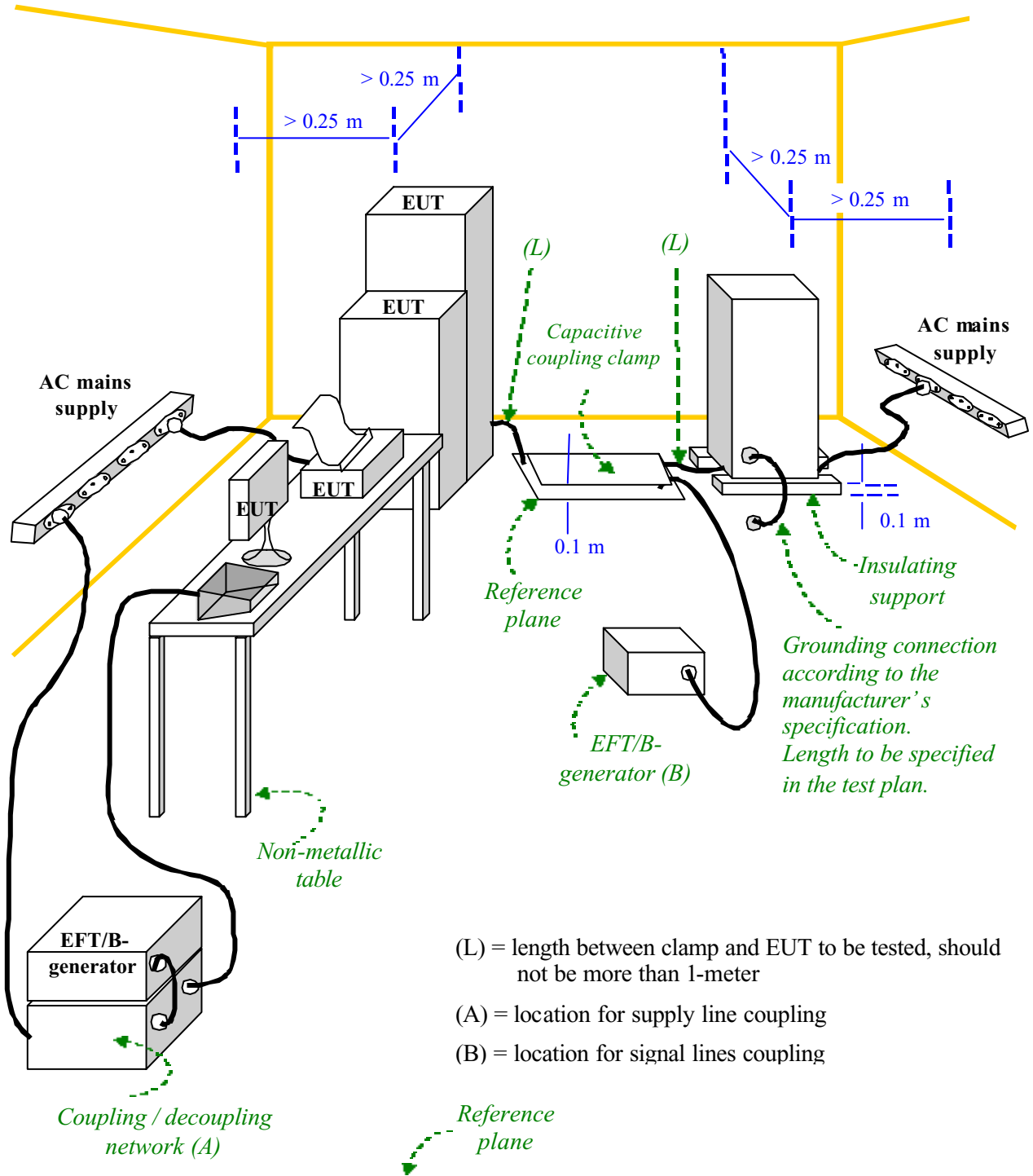




## Chapter 6 Electric Fast Transient/Burst Requirements Test

### EFT Test information:

General test set-up for laboratory type tests:



**Test levels: (Apply Level 2)**

Open-circuit output test voltage ( $\pm 10\%$ ) and repetition rate of the impulses ( $\pm 20\%$ )				
Level	On power supply port, PE		On input/output signal, data and control ports	
	Voltage peak kV	Repetition rate kHz	Voltage peak kV	Repetition rate kHz
1	0.5	5	0.25	5
2	1	5	0.5	5
3	2	5	1	5
4	4	2.5	2	5
X	Special	Special	Special	Special

NOTE: the "X" is an open level. The level has to be specified in the dedicated equipment specification

**Test setup:** According to EN 61000-4-4

**Test Voltage:** DC Power line ( ) 0.5 KV, 5 KH  
 AC Power line ( X ) 1 KV, 5 KHz  
 Signal & Control line ( X ) 0.5 KV, 5 KHz; ( ) 1 KV, 5 KHz

**Polarity:** ( X ) Positive ( X ) Negative

**Test Duration:** ( X ) 1 minute ( ) 3 minutes

**Connected lines:** ( ) Power line shielded ( X ) Power line non-shielded  
 ( X ) Signal & Control line non-shielded ( ) Signal & Control line shielded

**Test mode:** Ref. Test method of Chapter 1.

**Test instrument:**

Name	Model Number	Serial Number	Selected
Best Plus BURST ESD SURGE TRANSIENTS	Best Plus V6.2	199749-019SC	
BEST EMC Test Instrument	BEST EMC V2.3 (-8, -9)	199918-006SC	
KeyTek Instrument EFT Test system	E412	9505206/505207	X

**Comment:**

Performance Criteria: (According to ETSI EN 301 489-1)

( X ) Signal and control ports	( ) CT	( X ) TT	( ) CR	( X ) TR
( ) DC power input ports	( ) CT	( ) TT	( ) CR	( ) TR
( X ) AC mains input ports	( ) CT	( X ) TT	( ) CR	( X ) TR

***EN 61000-4-4 PHOTO OF TEST SET-UP***





**Test instrument:**

Name	Model Number	Serial Number	Selected
Best Plus BURST ESD SURGE TRANSIENTS	Best Plus V6.2	199749-019SC	
BEST EMC Test Instrument	BEST EMC V2.3 (-8, -9)	199918-006SC	
KeyTek Pulsed-EMI Test System	E103, 501B, E502B, E503, E505A, E4552A	0008260 ~0008264, 0008254	X

**Comment:**

Performance Criteria: **(According to ETSI EN 301 489-1)**

---

( X ) AC mains input ports	( ) CT	( X ) TT	( ) CR	( X ) TR
( X ) Signal and control ports	( ) CT	( X ) TT	( ) CR	( X ) TR

---

***EN 61000-4-5 PHOTO OF TEST SET-UP***

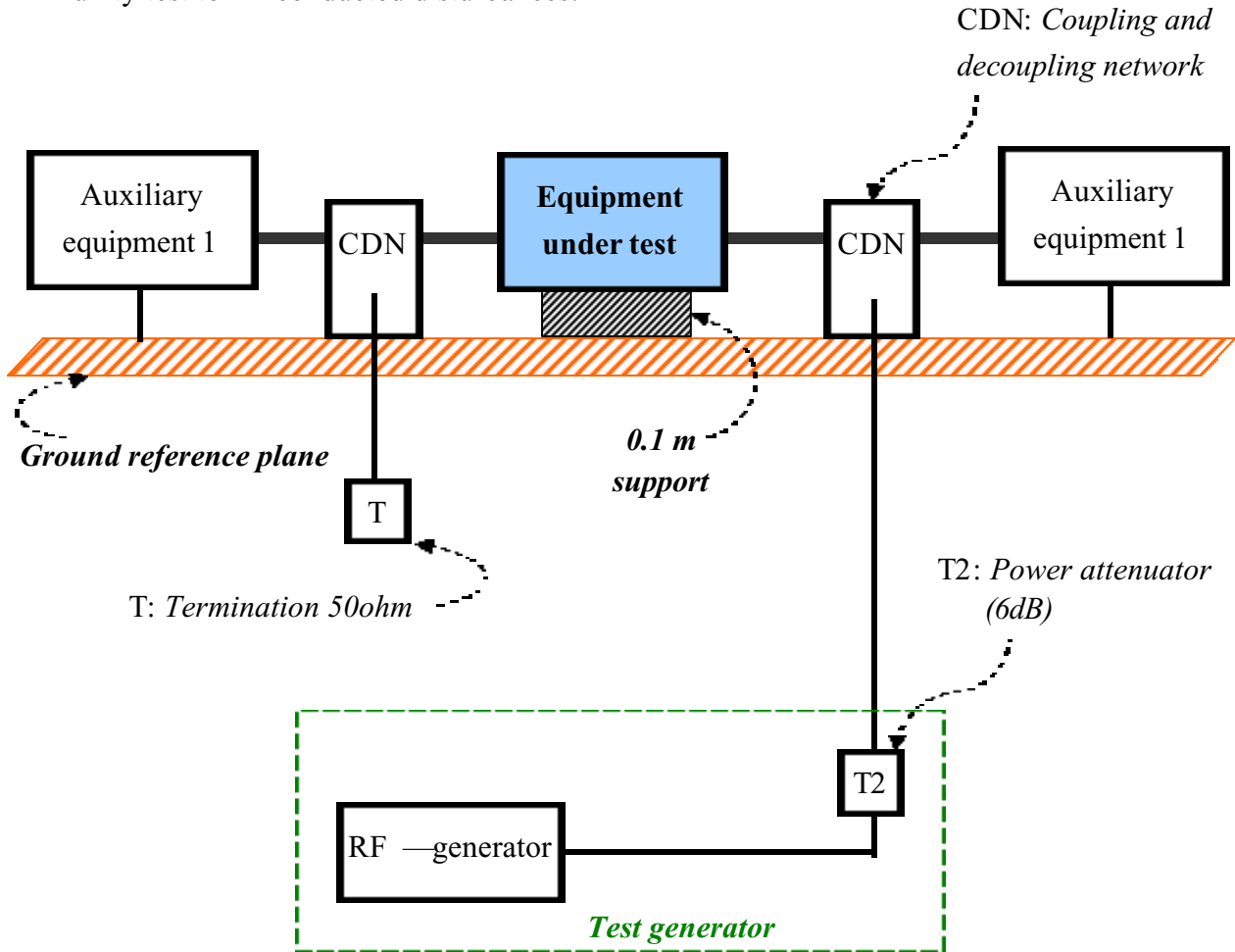


## Chapter 8 Continuous Wave Voltage Immunity Test

### CS Test information:

**Test setup:** According to EN 61000-4-6

Immunity test to RF conducted disturbances:



**Test levels: (Apply Level 2)**

Frequency range 150kHz to 80MHz		
Level	Voltage level (e.m.f.)	
	$U_o$ [dB( $\mu$ v)]	$U_o$ [V]
1	120	1
2	130	3
3	140	10
X	Special	

NOTE: the "X" is an open test level.

**Test Frequency:** ( X ) 0.15 ~ 80MHz

**Modulation:** ( ) FM %  
( X ) 80% AM Modulation with 1kHz  
( ) 80% AM Modulation with 400Hz when signal is modulated at 1kHz  
( ) 900 MHz $\pm$  5 MHz with PM 200 Hz and 50% duty cycle

**Step size:** ( ) Performed over the frequency range 150kHz to 80MHz with the exception of an exclusion band for transmitters, and for receivers and duplex transceivers  
( X ) For receivers and transmitters the stepped frequency increments shall be 1% frequency increment of the momentary frequency in the frequency range 150kHz to 80MHz, unless specified otherwise in the part of EN 301 489 dealing with the particular type of radio equipment

**Field strength:** ( ) 1Vrms ( X ) 3Vrms ( ) 10Vrms

**Connected lines:** ( ) Power line shielded  
( X ) Power line non-shielded  
( X ) Signal & Control line non-shielded  
( ) Signal & Control line shielded

**Test mode:** Ref. Test method of Chapter 1



**Test instruments:**

Name	Model Number	Serial Number	Selected
FRANKONIA EMV-Mess-System	CIT-10	103A3113	X
FRANKONIA CDN	M2+M3	A3011015	X
FRANKONIA CDN	T2-801	A3010002	
FRANKONIA CDN	T4-801	A3015004	X
FRANKONIA CDN	S1-801	A3005002	
SCHAFFNER FM-Koppelzange	KEMZ 801	17045	
SCHAFFNER RF-SYNTHESIZERIAMP21FIER	NSG 2070-1	1020	
SCHAFFNER CDN	M325	13773	
SCHAFFNER CDN	M216	15604	
SCHAFFNER CDN	T004	15230	
SCHAFFNER CDN	S501	15167	
SCHAFFNER FM-Koppelzange	KEMZ 801	14301	
HP Transmission Test Set	4935A	3115A24046	
B & K Precision Sound Level Meter	Type 2232	1810564	

**Comment:**

**Performance Criteria:** (According to ETSI EN 301 489-1)

( ) Antenna port	( )CT	( )TT	( ) CR	( )TR
( X ) Signal and control ports	( X )CT	( )TT	( X ) CR	( )TR
( ) DC power input ports	( )CT	( )TT	( ) CR	( )TR
( X ) AC mains input ports	( X )CT	( )TT	( X ) CR	( )TR

***EN 61000-4-6 PHOTO OF TEST SET-UP***



## Chapter 9 Voltage DIP / Interruption Test

**DIP Test information:**

**Test setup:** According to EN 61000-4-11

**Voltage dips:**             30%, 0.01 Second  
                                   60%, 0.1 Second

**Voltage interruptions:**  > 95%, 5 Seconds

**Test mode:** Ref. Test method of Chapter 1

**Test instruments:**

Name	Model Number	Serial Number	Selected
Best Plus BURST ESD SURGE TRANSIENTS	Best Plus V6.2	199749-019SC	
BEST EMC Test Instrument	BEST EMC V2.3 (-8, -9)	199918-006SC	
Partner EMS Tester	Transienter-1000	PIO	X

**Comment:**

**Performance Criteria: (According to ETSI EN 301 489-1)**

Dips 30%:             CT             TT             CR             TR  
 Dips 60%:             CT             TT             CR             TR  
 Interruptions >95%:  CT             TT             CR             TR

No unintentional responses shall occur at the end of the test;

Event of loss of function(s)             Event of loss of user stored data

**Performance Criteria: (According to ETSI EN 301 489-17)**

Dips 60%, 100 ms :                             A                             B                             C  
 Interruptions >95%, 5 000 ms:             A                             B                             C

***EN 61000-4-11 PHOTO OF TEST SET-UP***



## **Chapter 10 Harmonics Test**

**Test information:**

**Test setup:** According to EN 61000-3-2

**Test item:** Quasi – stationary & Fluctuating Current Harmonics Test.

**Test mode:** Ref. Test method of Chapter 1

**Test instrument:**

Name	Model Number	Serial Number	Selected
Harmonic/Flicker Test System	HP 6842A	3531A-00102	X

Test Equipment Settings:	Quasi-stationary Current Harmonics Test	Fluctuating Current Harmonics Test
Line Voltage	230VAC	230VAC
Line Frequency	50Hz	50Hz
Device Class	A	A
Test Limit Overrides	None	None
Total Number of Failures:	None	None
Total Number of Errors:	None	None

**Test Result: Pass**

## ***Chapter 11 Voltage Fluctuation and Flicker Test***

**Test information:**

**Test setup:** According to *EN 61000-3-3*

**Test mode:** Ref. Test method of Chapter 1

**Test instrument:**

Name	Model Number	Serial Number	Selected
Harmonic/Flicker Test System	HP 6842A	3531A-00102	X

**Test Equipment Settings:**

Line Voltage	230VAC
Line Frequency	50Hz
Test Limit Overrides	None
Total Number of Failures:	Pst: (0), Plt: (0)
	Dc: (0), Dmax (0), Dt (0)
Total Number of Errors:	None

**Test Result: Pass**

## **Chapter 12 Conducted Emission Test**

### **Test condition and setup**

All the equipment is placed and setup according to *EN 55022*.

Mains power:

The EUT is assembled on a wooden table, which is 80 cm high and placed 40 cm from the back-wall, which is a vertical conducting plane. One LISN is for EUT, the other LISN is for support equipment. They are all placed on the conductive ground. The EUT's LISN connect a line switch box for selecting L1 or L2, then connect to a preamplifier and spectrum.

The spectrum scans from 150KHz to 30MHz. Conducted emission levels are detected at *maximum peak mode*. But if the maximum peak mode failed or over *average limit*, it will be measured by *average detection mode*.

While testing the worst-emission plot printed in the *peak detection mode*, and there are up to 6 highest emissions to be recorded. The plot is kept as the original data and not included in the test report.

### **List of test Instrument**

Instrument Name	Model No.	Brand	Serial No.	Calibration Date	
				Last time	Next time
EMI Receiver	8546A	HP	3520A00242	07/28/03	07/28/04
RF Filter Section	85460A	HP	3448A00217	07/28/03	07/28/04
LISN (EUT)	LISN-01	TRC	9912-03,04	07/21/03	07/21/04
LISN (Support E.)	LISN-01	TRC	9912-05	06/21/03	06/21/04
Auto Switch Box (< 30MHz)	ASB-01	TRC	9904-01	11/20/02	11/20/03

The level of confidence of 95%, the uncertainty of measurement of conducted emission is ++2.43Db / -2.53dB.

*Conducted Test Placement (Front view and Side view)*





**Test Result of Conducted Emissions for Mains power**

Test Conditions: Temperature : 26.5 °C Humidity : 58.3 % RH

**Test Mode: Adaptor#1, detachable antenna**

<i>Power Connected Emissions</i>					<i>Class B</i>		
<i>Conductor</i>	<i>Frequency (KHz)</i>	<i>Peak (dBµV)</i>	<i>QP (dBµV)</i>	<i>Average (dBµV)</i>	<i>QP-limit (dBµV)</i>	<i>AVG-limit (dBµV)</i>	<i>Margin (dB)</i>
Line 1	199.000	51.92	---	---	64.60	54.60	-2.68
	291.000	47.72	---	---	61.97	51.97	-4.25
	394.000	46.17	---	---	59.03	49.03	-2.86
	504.000	41.91	---	---	56.00	46.00	-4.09
	891.940	46.76	46.16	29.18	56.00	46.00	-9.84
	973.250	45.87	44.49	23.39	56.00	46.00	-11.51
	1376.380	46.05	43.71	30.37	56.00	46.00	-12.29
	2082.360	47.18	45.45	20.01	56.00	46.00	-10.55
	3636.810	46.64	45.06	27.21	56.00	46.00	-10.94
	5080.000	41.44	---	---	60.00	50.00	-8.56
Line 2	199.000	49.92	---	---	64.60	54.60	-4.68
	250.000	46.21	---	---	63.14	53.14	-6.93
	297.000	45.21	---	---	61.80	51.80	-6.59
	398.000	42.07	---	---	58.91	48.91	-6.84
	490.000	41.40	---	---	56.29	46.29	-4.89
	890.500	47.81	45.60	27.93	56.00	46.00	-10.40
	1568.750	46.21	43.14	21.87	56.00	46.00	-12.86
	2146.970	50.31	44.20	23.45	56.00	46.00	-11.80
	3633.800	48.28	43.94	12.88	56.00	46.00	-12.06
	4923.820	45.09	42.22	19.67	56.00	46.00	-13.78

**\*The reading amplitudes are all under limit.**

Test Conditions: Temperature : 26.5 °C Humidity : 58.3 % RH

**Test Mode: Adaptor#2, detachable antenna**

<i>Power Connected Emissions</i>					<i>Class B</i>		
<i>Conductor</i>	<i>Frequency (KHz)</i>	<i>Peak (dBμV)</i>	<i>QP (dBμV)</i>	<i>Average (dBμV)</i>	<i>QP-limit (dBμV)</i>	<i>AVG-limit (dBμV)</i>	<i>Margin (dB)</i>
Line 1	210.000	47.51	---	---	64.29	54.29	-6.78
	230.000	43.84	---	---	61.14	51.14	-7.30
	426.000	43.21	---	---	58.11	48.11	-4.90
	533.000	41.84	---	---	56.00	46.00	-4.16
	841.000	41.51	---	---	56.00	46.00	-4.49
	934.860	45.34	43.77	31.90	56.00	46.00	-0.66
	1043.250	44.81	44.99	32.40	56.00	46.00	-1.19
	2243.000	42.82	---	---	56.00	46.00	-3.18
	3606.000	43.51	---	---	56.00	46.00	-2.49
	4131.000	40.15	---	---	56.00	46.00	-5.85
Line 2	210.000	49.78	---	---	64.29	54.29	-4.51
	314.000	44.88	---	---	61.31	51.31	-6.43
	421.000	43.54	---	---	58.26	48.26	-4.72
	528.000	42.65	---	---	56.00	46.00	-3.35
	895.120	45.50	30.71	20.70	56.00	46.00	-25.29
	1040.000	44.84	44.29	28.73	56.00	46.00	-1.16
	1155.000	43.54	---	---	56.00	46.00	-2.46
	1582.000	40.66	---	---	56.00	46.00	-5.34
	3542.000	41.65	---	---	56.00	46.00	-4.35
	4523.000	38.03	---	---	56.00	46.00	-7.97

**\*The reading amplitudes are all under limit.**

Test Conditions: Temperature : 26.5 °C Humidity : 58.3 % RH

**Test Mode: Adaptor#1, Un-detachable antenna**

<i>Power Connected Emissions</i>					<i>Class B</i>		
<i>Conductor</i>	<i>Frequency (KHz)</i>	<i>Peak (dBμV)</i>	<i>QP (dBμV)</i>	<i>Average (dBμV)</i>	<i>QP-limit (dBμV)</i>	<i>AVG-limit (dBμV)</i>	<i>Margin (dB)</i>
Line 1	729.100	43.53	43.84	31.93	56.00	46.00	-12.16
	823.230	45.25	46.16	33.57	56.00	46.00	-9.84
	1275.130	45.47	45.14	29.21	56.00	46.00	-10.86
	1372.260	44.52	45.30	29.39	56.00	46.00	-10.70
	3780.300	51.32	49.33	28.86	56.00	46.00	-6.67
	4200.850	51.35	49.62	26.02	56.00	46.00	-6.38
	4543.620	49.70	45.58	22.93	56.00	46.00	-10.42
	5181.010	47.64	45.15	19.18	60.00	50.00	-14.85
Line 2	733.600	43.76	44.54	33.11	56.00	46.00	-11.46
	832.510	45.02	45.45	29.10	56.00	46.00	-10.55
	1273.710	45.91	44.34	25.42	56.00	46.00	-11.66
	1368.710	44.95	44.25	25.91	56.00	46.00	-11.75
	1734.590	43.97	40.09	19.60	56.00	46.00	-15.91
	1923.480	45.73	46.28	26.38	56.00	46.00	-9.72
	2373.990	46.73	45.21	22.90	56.00	46.00	-10.79
	3653.040	47.03	47.51	28.64	56.00	46.00	-8.49
	4105.870	47.45	46.95	21.61	56.00	46.00	-9.05
	5260.000	45.49	---	---	60.00	50.00	-4.51

**\*The reading amplitudes are all under limit.**

Test Conditions: Temperature : 26.5 °C Humidity : 58.3 % RH

**Test Mode: Adaptor#2, Un-detachable antenna**

<i>Power Connected Emissions</i>					<i>Class B</i>		
<i>Conductor</i>	<i>Frequency (KHz)</i>	<i>Peak (dBμV)</i>	<i>QP (dBμV)</i>	<i>Average (dBμV)</i>	<i>QP-limit (dBμV)</i>	<i>AVG-limit (dBμV)</i>	<i>Margin (dB)</i>
Line 1	167.000	45.77	---	---	65.51	55.51	-9.74
	177.000	44.49	---	---	65.23	55.23	-10.74
	222.000	42.30	---	---	63.94	53.94	-11.64
	348.000	44.42	---	---	60.34	50.34	-5.92
	363.000	44.22	---	---	59.91	49.91	-5.69
	394.000	43.21	---	---	59.03	49.03	-5.82
	426.000	42.41	---	---	58.11	48.11	-5.70
	471.000	41.81	---	---	56.83	46.83	-5.02
	552.000	42.41	---	---	56.00	46.00	-3.59
	11880.000	29.85	---	---	60.00	50.00	-20.15
Line 2	163.000	46.21	---	---	65.63	55.63	-9.42
	182.000	45.20	---	---	65.09	55.09	-9.89
	250.000	40.47	---	---	63.14	53.14	-12.67
	352.000	42.41	---	---	60.23	50.23	-7.82
	409.000	40.80	---	---	58.60	48.60	-7.80
	533.000	37.31	---	---	56.00	46.00	-8.69
	788.000	31.43	---	---	56.00	46.00	-14.57
	11880.000	29.49	---	---	60.00	50.00	-20.51
	21630.000	36.67	---	---	60.00	50.00	-13.33
	23120.000	39.32	---	---	60.00	50.00	-10.68

**\*The reading amplitudes are all under limit.**

## Chapter 13 Radiated Emission Test

### Test condition and setup

**Pretest:** Prior to the final test (OATS test), the EUT is placed in a shielded enclosure, and scan from 30MHz to 1GHz. This is done to ensure the radiation is exactly emitted from the EUT. **Final test:** Final radiation measurements are made on a **10 – meter, open-field** test site. The EUT is placed on a nonconductive table, which is 0.8m height, the top surface is 1.0 x 1.5 meter. The entire placement is according to EN 55022.

The whole range antenna is used to measure frequency from 30 MHz to 1GHz. The final test is used the spectrum analyzer (EMI Receiver). Measure more than six top marked frequencies generated from pretest by computer step by step at each frequency.

The EUT is rotated 360 degrees, and antenna is raised and lowered from 1 to 4 meters to find the maximum emission levels. The antenna is used with both horizontal and vertical polarization. Appropriated preamplifier which is made by TRC is used for improving sensitivity and precautions is taken to avoid overloading. The spectrum analyzer's 6dB bandwidth is set to 120 kHz, and the EUT is measured at quasi-peak (below 1GHz) mode.

If the emission is close to the frequency band of ambient, the tester will recheck the data and the corrected data will be written in the test data sheet. If the emission is just within the ambient, the data from shielded room will be taken as the final data.

### List of test Instrument

Instrument Name	Model No.	Brand	Serial No.	Calibration Date	
				Last time	Next time
Receiver	SCR3102	SCHAFFNER	021	04/22/03	04/22/04
Control box	TWR95-4	TRC	C9001-2	None	None
Antenna	CBL6141A	SCHAFFNER	4206	05/27/03	05/27/04
Pre-amplifier	TRC-CB-2	TRC	CB-002	05/29/03	05/29/04
Coixal cable (20m)	RG-214/U	Jyebao	CL-002	05/29/03	05/29/04
Coixal cable (50cm)	BNC31VB-0316	Jyebao	CL-002	05/29/03	05/29/04
Coixal cable (20cm)	BNC31VB-0318	Jyebao	CL-007	05/29/03	05/29/04
Coixal cable (55cm)	BNC31VB-0316	Jyebao	CL-006	05/29/03	05/29/04
Coixal cable (55cm)	BNC31VB-0316	Jyebao	CL-005	05/29/03	05/29/04
Open test side (Antenna, Amplify, cable calibrated together)				05/15/03	05/15/04

The level of confidence of 95% , the uncertainty of measurement of radiated emission is +2.85dB / -2.77dB.

*Radiated Test Placement (Front view and Side view)*



**Test Result of Spurious Radiated Emissions**

Test Conditions: Temperature : 25 ° C Humidity : 73 % RH

**Test Mode: Adaptor#1, detachable antenna [Horizontal]**

Radiated Emission				Correction Factors (dB)	Corrected Amplitude (dBµV/m)	Class B (10 m)	
Frequency (MHz)	Amplitude (dBµV)	Ant. H. (m)	Table ( ° )			Limit (dBµV/m)	Margin (dB)
250.6525	29.47	2.51	199	-1.80	27.67	37.00	-9.33
301.9675	29.06	2.51	58	-1.37	27.69	37.00	-9.31
400.8650	24.20	2.51	151	4.62	28.82	37.00	-8.18
534.1838	16.90	2.51	207	7.69	24.59	37.00	-12.41
601.7525	18.88	1.00	341	9.84	28.72	37.00	-8.28

**Test Mode: Adaptor#1, detachable antenna [Vertical]**

Radiated Emission				Correction Factors (dB)	Corrected Amplitude (dBµV/m)	Class B (10 m)	
Frequency (MHz)	Amplitude (dBµV)	Ant. H. (m)	Table ( ° )			Limit (dBµV/m)	Margin (dB)
200.0213	27.31	1.00	113	-3.90	23.41	30.00	-6.59
230.9975	26.26	1.00	270	-2.77	23.49	37.00	-13.51
260.0050	32.12	1.00	325	-1.80	30.32	37.00	-6.68
300.3700	32.57	3.98	214	-1.48	31.09	37.00	-5.91
401.7213	23.63	1.00	144	4.63	28.26	37.00	-8.74

Note:

1. Margin = Amplitude – limit, if margin is minus means under limit.
2. Corrected Amplitude = Reading Amplitude + Correction Factors
3. Correction factor = Antenna factor + ( Cable Loss – Amplitude gain)

**Test Mode: Adaptor#2, detachable antenna [Horizontal]**

<i>Radiated Emission</i>				<i>Correction Factors</i> <i>(dB)</i>	<i>Corrected Amplitude</i> <i>(dBμV/m)</i>	<i>Class B (10 m)</i>	
<i>Frequency (MHz)</i>	<i>Amplitude (dBμV)</i>	<i>Ant. H. (m)</i>	<i>Table (°)</i>			<i>Limit (dBμV/m)</i>	<i>Margin (dB)</i>
124.3425	24.61	3.99	50	-4.74	19.87	30.00	-10.13
202.9300	29.65	3.99	56	-3.87	25.78	30.00	-4.22
250.0250	29.30	2.49	80	-1.80	27.50	37.00	-9.50
307.9250	33.73	2.49	216	-0.99	32.74	37.00	-4.26
408.5020	27.68	2.49	246	4.77	32.45	37.00	-4.55

**Test Mode: Adaptor#2, detachable antenna [Vertical]**

<i>Radiated Emission</i>				<i>Correction Factors</i> <i>(dB)</i>	<i>Corrected Amplitude</i> <i>(dBμV/m)</i>	<i>Class B (10 m)</i>	
<i>Frequency (MHz)</i>	<i>Amplitude (dBμV)</i>	<i>Ant. H. (m)</i>	<i>Table (°)</i>			<i>Limit (dBμV/m)</i>	<i>Margin (dB)</i>
200.9675	28.35	1.00	271	-3.89	24.46	30.00	-5.54
259.7638	32.18	1.00	25	-1.80	30.38	37.00	-6.62
301.3275	30.05	2.51	159	-1.42	28.63	37.00	-8.37
402.4663	25.52	2.51	113	4.65	30.17	37.00	-6.83
601.0830	17.06	3.99	184	9.83	26.89	37.00	-10.11



**Test Mode: Adaptor#1, Un-detachable antenna [Horizontal]**

<i>Radiated Emission</i>				<i>Correction Factors</i>	<i>Corrected Amplitude</i>	<i>Class B (10 m)</i>	
<i>Frequency (MHz)</i>	<i>Amplitude (dBμV)</i>	<i>Ant. H. (m)</i>	<i>Table ( ° )</i>			<i>Limit (dBμV/m)</i>	<i>Margin (dB)</i>
151.0100	28.49	3.99	230	-4.87	23.62	30.00	-6.38
192.3775	29.84	1.00	215	-4.43	25.41	30.00	-4.59
250.0263	28.27	2.50	88	-1.80	26.47	37.00	-10.53
287.9550	25.81	2.50	74	-1.04	24.77	37.00	-12.23
383.4375	30.26	2.50	254	3.64	33.90	37.00	-3.10

**Test Mode: Adaptor#1, Un-detachable antenna [Vertical]**

<i>Radiated Emission</i>				<i>Correction Factors</i>	<i>Corrected Amplitude</i>	<i>Class B (10 m)</i>	
<i>Frequency (MHz)</i>	<i>Amplitude (dBμV)</i>	<i>Ant. H. (m)</i>	<i>Table ( ° )</i>			<i>Limit (dBμV/m)</i>	<i>Margin (dB)</i>
43.4688	29.90	2.50	208	-2.01	27.89	30.00	-2.11
58.7213	34.34	2.50	333	-7.93	26.41	30.00	-3.59
191.4450	31.15	1.00	309	-4.50	26.65	30.00	-3.35
260.3060	27.54	1.00	72	-1.78	25.76	37.00	-11.24
385.3013	23.65	2.50	3	3.75	27.40	37.00	-9.60

**Test Mode: Adaptor#2, Un-detachable antenna [Horizontal]**

<i>Radiated Emission</i>				<i>Correction Factors</i> <i>(dB)</i>	<i>Corrected Amplitude</i> <i>(dBμV/m)</i>	<i>Class B (10 m)</i>	
<i>Frequency (MHz)</i>	<i>Amplitude (dBμV)</i>	<i>Ant. H. (m)</i>	<i>Table ( ° )</i>			<i>Limit (dBμV/m)</i>	<i>Margin (dB)</i>
193.2525	25.94	2.51	119	-4.37	21.57	30.00	-8.43
289.0238	25.60	3.99	270	-1.02	24.58	37.00	-12.42
386.9388	26.88	2.51	246	3.84	30.72	37.00	-6.28
434.5688	19.71	3.99	277	5.29	25.00	37.00	-12.00
769.5138	11.64	1.00	82	14.22	25.86	37.00	-11.14

**Test Mode: Adaptor#2, Un-detachable antenna [Vertical]**

<i>Radiated Emission</i>				<i>Correction Factors</i> <i>(dB)</i>	<i>Corrected Amplitude</i> <i>(dBμV/m)</i>	<i>Class B (10 m)</i>	
<i>Frequency (MHz)</i>	<i>Amplitude (dBμV)</i>	<i>Ant. H. (m)</i>	<i>Table ( ° )</i>			<i>Limit (dBμV/m)</i>	<i>Margin (dB)</i>
191.9113	30.14	1.00	319	-4.47	25.67	30.00	-4.33
260.9813	30.59	2.50	208	-1.73	28.86	37.00	-8.14
386.6438	27.87	1.00	169	3.83	31.70	37.00	-5.30
546.8175	21.41	2.50	240	8.02	29.43	37.00	-7.57
643.0938	12.51	2.50	190	10.83	23.34	37.00	-13.66

*Appendix A*

*Brand name and Model name List*

<b>Brand Name</b>	<b>Model Name</b>
TRENDware	TEW-230AP
TRENDware	TEW-230APB