



TW100-BRV304(V1) **Cable/DSL Advanced VPN Firewall Router**

TRENDnet's TW100-BRV304 Cable/DSL Advanced VPN Firewall Router provides small business users advanced broadband security with a Stateful Packet Inspection Firewall (SPI) that filters traffic down to the packet level and incorporates protection against popular hacker attacks such as Denial of Service (DoS) attempts. It includes VPN encryption with support for up to 70 simultaneous VPN tunnels via client pc-to-endpoint or endpoint-to-endpoint configuration. To allow direct access to a web server or PC around the firewall the router includes a dedicated DMZ port. Installation and VPN Set-up is quick and easy with the help of the install wizard. The new VPN Firewall family delivers advanced security at an affordable price.



FEATURES

- Built-in 4-port 10/100Mbps Auto-Sensing Switch
- Built-in 1-port 10/100Mbps Hardware DMZ
- Supports Cable Modem and xDSL Modem (Dynamic/Static IP, PPPoE, PPTP)
- Supports most operating systems, such as Windows 95/98/ME/NT/2000/XP, Unix, and Mac
- Full IPSec VPN support including IKE Key Management, MD5/SHA-1 Authentication Algorithm and DES/3DES Encryption Algorithm
- Supports up to 70 IPSec Tunnels and 100 (IPSec, L2TP, PPTP) Pass-Through sessions simultaneously
- Website Access Restriction using URL Keywords (50 entries) and Service Types
- Supports Hardware/Software DMZ and Virtual Servers (Port Forwarding) (including pre-defined) with 60 Firewall Rules (Port Forwarding)
- Supports Static Routing and Dynamic DNS Service
- Supports UPnP (Universal Plug & Play)
- ALGs (Application Level Gateways) and Special Application support for programs which are difficult to use behind a Firewall
- Firewall features Network Address Translation (NAT), and Stateful Packet Inspection (SPI) protects against DoS attacks
- Real-Time e-mail alert and logs when attack/unauthorized Internet activity occurs
- Easy Configuration using Web Browser
- DHCP Server supports up to 253 clients
- Remote Management with HTTP/Web Browser (from LAN, WAN, or both)
- Flash memory for firmware upgrade and save/restore router configuration
- 5-Year warranty

BENEFITS

- **Easy Integration:**
With the built-in 4-port 10/100Mbps Switch, you can integrate this device to any Ethernet/Fast Ethernet Network.
- **Cost-Effectiveness:**
Share the broadband Internet connection, saves router costs and account charges.
- **Security:**
Firewall protection keeps hackers out.
- **Performance:**
Experience the high speed Internet access while reducing network traffic.



TW100-BRV304 (V1)

Cable/DSL Advanced VPN Firewall Router

SPECIFICATIONS

Hardware

Protocols:

- NAT, PPPoE, NTP, SMTP, HTTP, TFTP, DHCP, TCP/IP, PAP, CHAP, RIP1, DDNS

Firewall:

- NAT firewall, Policy Base Packet Filter, Attack Alert (email) and log, Stateful Packet Inspection firewall for DoS (Denial of Service) attacks

VPN (IPSec):

- MD5-HMAC/SHA1-HMAC authentication, DES-CBC, 3DES-CBC encryption, Internet Key Exchange, Manual Key Negotiation

Security:

- URL Filter, Access Control by Time and Group, Local Password

Local Port:

- 4x 10/100Mbps Ethernet port (RJ45), Auto-MDIX

Internet Port:

- 1x 10/100Mbps Ethernet port (RJ45)

DMZ Port:

- 1x 10/100Mbps Ethernet port (RJ-45)

LEDs:

- Power, Status, Lnk/Act and 100 (LAN 1~4), WAN, DMZ

Power:

- 12V DC 800~1000mA External Power Adapter

Dimensions (LxWxH):

- 170 x 147 x 27 mm (6.7x 5.8 x 1.06 inches)

Weight:

- Appr. 590 g (20.8 oz.)

Temperature:

- Operating: 0° to 40° C (32° to 104° F)
- Storage: -10° to 70° C (14° to 158° F)

Humidity:

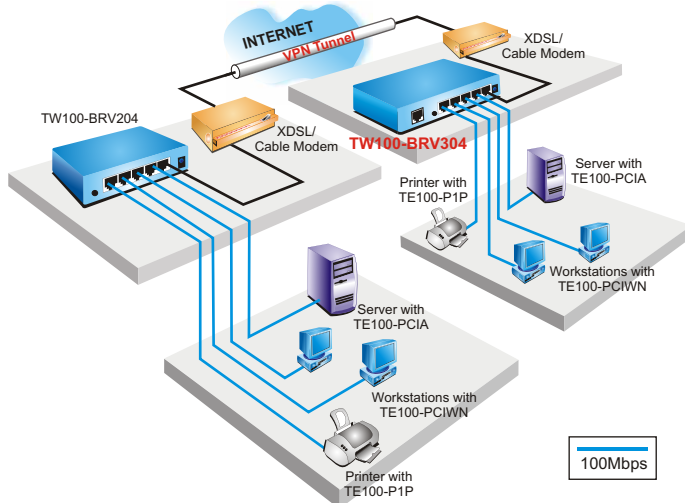
- Operating: 0 % ~ 80 % (non-condensing)
- Storage: 0% ~ 95% (non-condensing)

Certifications:

- FCC, CE, VCCI



NETWORKING SOLUTIONS



RELATED PRODUCT

- ➔ **TW100-BRV204:**
Cable/DSL VPN Firewall Router
- ➔ **TW100-BRV304:**
Cable/DSL Advanced VPN Firewall Router
- ➔ **TW100-S4W1CA:**
10/100Mbps DSL/Cable Broadband Router /w 4-port Switch
- ➔ **TW100-BRF104:**
10/100Mbps DSL/Cable Broadband Firewall Router /w 4-port Switch

ORDERING INFORMATION

TRENDware International, Inc.
3135 Kashiwa Street
Torrance, CA. 90505. USA
Tel: 310-891-1100
Fax: 310-891-1111
Web: www.TRENDNET.com
Email: sales@trendware.com



To Order Please Call:
1-888-326-6061