

TRENDnet[®]



Quick Installation Guide TV-IP344PI (V1)

Table of Contents

1 English

1. Before You Start
2. Hardware Installation and Configuration

1. Before You Start

Package Contents

- TV-IP344PI
- CD-ROM (Utility, Software and User's Guide)
- Quick Installation Guide
- Network cable (1.5m / 5ft.)
- RJ-45 coupler
- Camera Mounting hardware

Minimum Requirements

- Power over Ethernet (PoE) switch (e.g. TPE-S50) or PoE Injector (e.g. TPE-113GI)
- A networked computer and web browser
- Wired network

Note:

- The TV-IP344PI only works with Power over Ethernet (PoE) devices that follow the IEEE 802.3af standard.
- The TV-IP344PI has a 5.5 mm barrel connector for an optional 12 V DC 1A power adapter.
- Optional power supply not included.

Free Mobile App: TRENDnet IPView Requirements

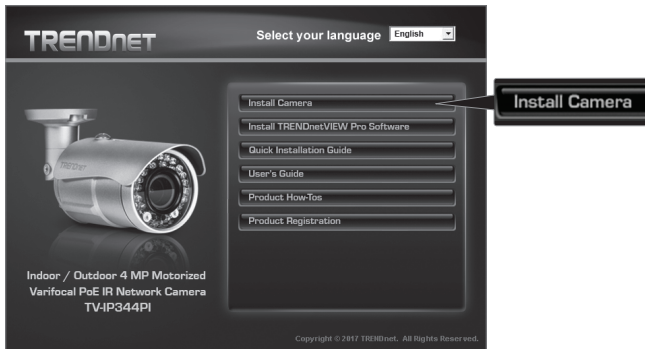
Supported Operating Systems
Android (version 4.4 or above) iOS (version 8.2 or above)

TRENDnetVIEW Pro Software

Compatibility
Windows® 10, 8.1, 8, 7, Windows Server® 2008, 2012

2. Hardware Installation and Configuration

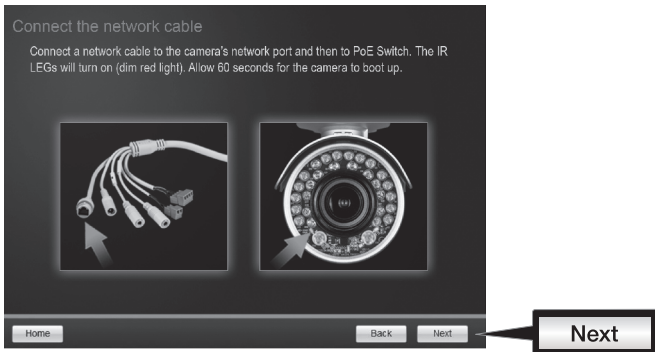
1. Do not install or mount the IP camera until after you complete the installation steps below. Temporarily place the IP camera next to your computer.
2. Insert the Utility CD-ROM into your CD-ROM drive.
3. Select language from the drop down menu.
4. Click **Install Camera**.



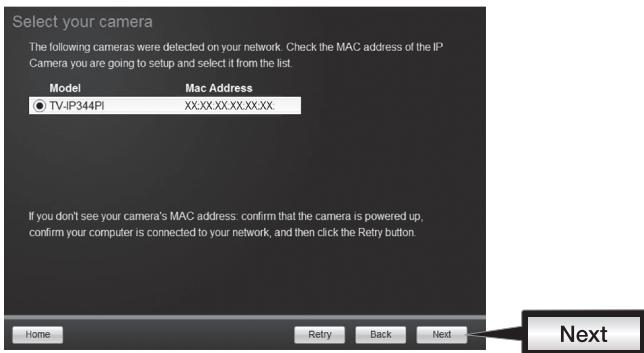
5. Write down the MAC address of your camera. Then click **Next**.



6. Connect a network cable from the camera's network port to your PoE source. The IR LEDs will turn on and show a dim visible red light. Allow 60 seconds for the camera to boot up. Then click **Next**.



7. Select your camera. Click **Next** and follow the instructions.



8. Select DHCP option to assign an IP by DHCP server, select “Fixed IP” to set IP address manually. Click **Next**.

Select a Connection Option

Please select a connection option based on your network environment. If you do not know which connection option to choose, select DHCP.

DHCP Select this option if your camera is connected to a router and DHCP is enabled

Fixed IP Select this option if you want to configure the camera with a static IP address

Home Back Next

Next

9. If you select “Fixed IP”, fill out the IP address, subnet mask, default gateway, and DNS server. Please ensure that the IP address of the camera and the computer must be within the same network. Click **Next**.

10. Select **Change Password**. Enter a new password, confirm the new password and then click **Next**.

Change Password

You **MUST** change the default password of the camera.

Enter the default password: admin

Enter your new password: must be between 8 and 32 characters (Alphanumeric: a-z, A-Z, 0-9, Special Characters: !,@,#,\$,%)

Admin ID admin

Password *****

Change Password

New password *****

Confirm new password *****

Home Back Next

Change Password

Next

11. Initial Setup is complete! Your camera is now connected to your network. Click the hyperlink to confirm access to the management page. This will open up a web browser. To resume installation, minimize the web browser and then click **Next**.



12. Congratulations! Your camera is now ready to be installed in its final location. Scan the QR code to download a free mobile app to view the camera from your mobile device. Click **Finish** to exit the installation wizard.



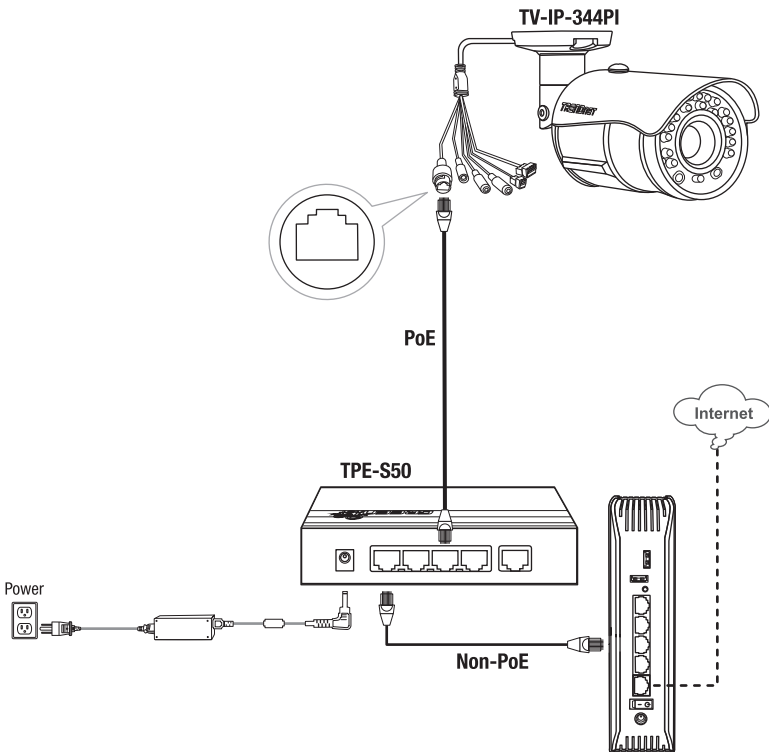
13. To manage multiple cameras and for more advanced features, please install the TRENDnetVIEW Pro software. Install the software by clicking **Install TRENDnetVIEW Pro Software** in the Autorun window and refer to the TRENDnetVIEW Pro User's Guide on the CD for more information.

Note

- See User's Guide for advanced management functions
- Two User's Guides are included – one for the camera and one for the complimentary management software.
- When viewing through Chrome, please follow the steps in the User's Guide.

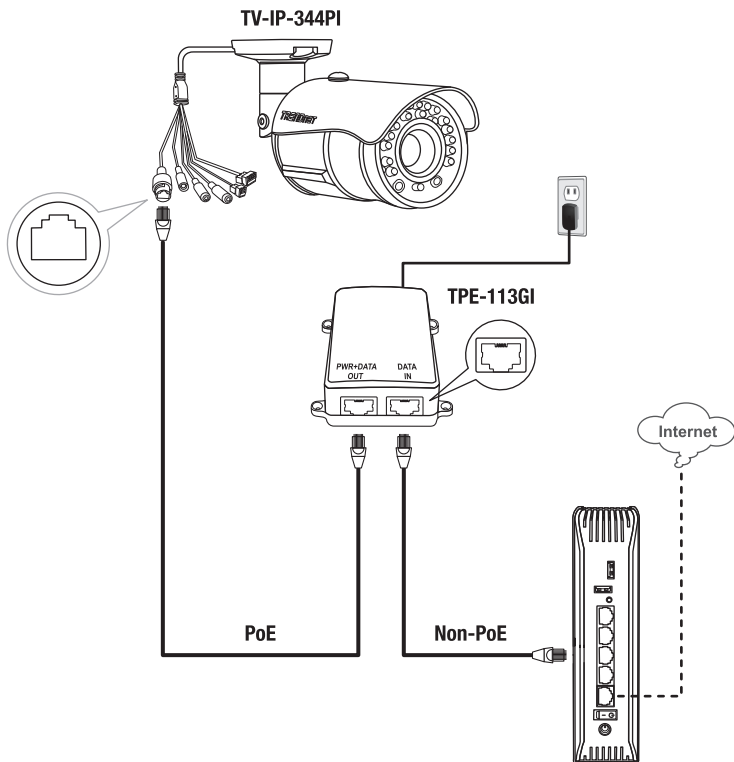
14. Install the camera in your desired location. To connect the IP camera to your network with PoE, please use either of the following examples:

Using the TV-IP344PI with a PoE switch (TPE-S50)



- Connect the provided network cable from the Power over Ethernet switch (e.g. TPE-S50) to the network port on the IP Camera.
- Connect the switch to your network.

Using the TV-IP344PI with an Injector (TPE-113GI)

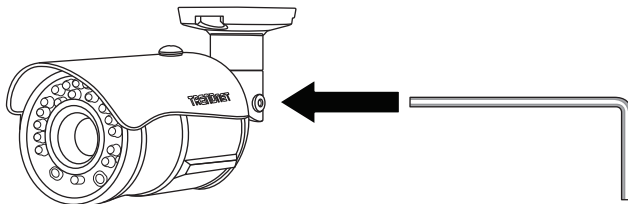


- Connect the power adapter to the TPE-113GI and then to a power outlet.
- Connect a network cable from the TV-IP344PI to the TPE-113GI's **PWR+DATA OUT** (PoE) port.
- Connect a network cable from a switch or router (e.g. TEW-818DRU) to the TPE-113GI's **DATA IN** (Non-PoE) port.

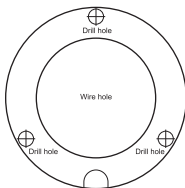
Mounting the camera

Note: For tips on capturing appropriate camera viewing angle, please refer to the user's guide.

1. Loosen the locking bolts and manually position the camera as desired .

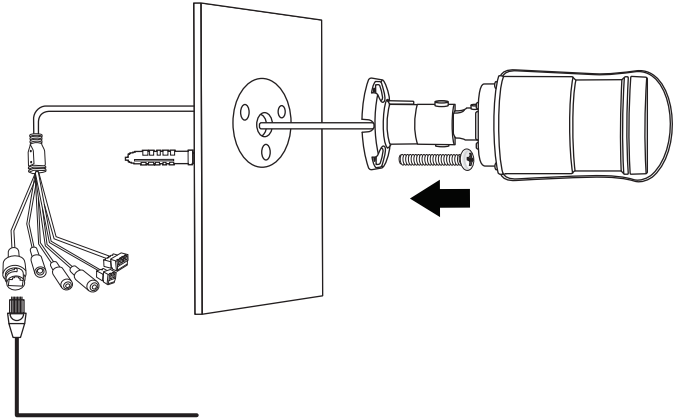


2. Place the provided template label on the wall or ceiling.



3. Drill holes for the provided screw anchors at each marked position on the template. Make sure the drill bit matches the size of the provided screw anchors.
4. If the camera wire will be installed through the base plate of the unit, skip to step 6. If the wiring will be routed through the wall, drill a hole for the cable.
5. Pass the camera's cables through the hole.
6. Connect the network cable to the camera. Ensure the camera is not powered.
7. Insert the provided screw anchors into the pilot holes.

8. Align the mounting bracket with the screw anchors, and then use the provided screws to secure the camera to the mounting surface.



9. Power up the camera by connecting the other end of the cable to a PoE switch or injector on your network.

10. Loosen the screws and rotate the collar to final angle, then tighten the screws.

Declaration of Conformity

TRENDNET[®]

Manufacturer's Name and Address

TRENDnet, Inc.
20675 Manhattan Place
Torrance, CA 90501 USA

Zwolsestraat 156 2587 WB
The Hague The Netherlands



Product Information

Model Number: TV-IP344PI
Product Name: Indoor/Outdoor 4 MP Motorized Varifocal PoE IR Network Camera
Trade Name: TRENDnet

TRENDnet hereby declare that the product is in compliance with the essential requirements and other relevant provisions under our sole responsibility.

EMC

EN 55022: 2010 + AC: 2011 Class A
EN 61000-3-2: 2014
EN 61000-3-3: 2013

This product is herewith confirmed to comply with the Directives.

Directives:

EMC Directive 2004/108/EC and 2014/30/EU
RoHS Directive 2011/65/EU
REACH Regulation (EU) No. 1907/2006

Person responsible for this declaration.

Place of Issue: Torrance, California, USA

Date: July 20, 2017

Name: Sonny Su

Title: Director of Technology

Signature:

A handwritten signature in black ink, appearing to read 'Sonny Su', is written over a horizontal line.



Certifications

This device complies with Part 15 of the FCC Rules.

Operation is subject to the following two conditions:

- (1) This device may not cause harmful interference.
- (2) This device must accept any interference received.

Including interference that may cause undesired operation.



Waste electrical an electronic products must not be disposed of with household waste. Please recycle where facilities exist. Check with your Local Authority or Retailer for recycling advice.

Applies to PoE Products Only: This product is to be connected only to PoE networks without routing to the outside plant.

Note

The Manufacturer is not responsible for any radio or TV interference caused by unauthorized modifications to this equipment. Such modifications could void the user's authority to operate the equipment.

Advertencia

En todos nuestros equipos se mencionan claramente las características del adaptador de alimentación necesario para su funcionamiento. El uso de un adaptador distinto al mencionado puede producir daños físicos y/o daños al equipo conectado. El adaptador de alimentación debe operar con voltaje y frecuencia de la energía eléctrica domiciliaria existente en el país o zona de instalación.

Technical Support

If you have any questions regarding the product installation, please contact our Technical Support.

Toll free US/Canada: **1-866-845-3673**

Regional phone numbers available at www.trendnet.com/support

TRENDnet

20675 Manhattan Place
Torrance, CA 90501
USA

Product Warranty Registration

Please take a moment to register your product online. Go to TRENDnet's website at:

www.trendnet.com/register