



Guia de Instalação Rápida

TU2-P2W
H/W: V1.0R

Português	1
1. Antes de Iniciar	1
2. Como Instalar	2
3. Funções do Produto	3
4. Especificações Técnicas	4
Troubleshooting	5

1. Antes de Iniciar



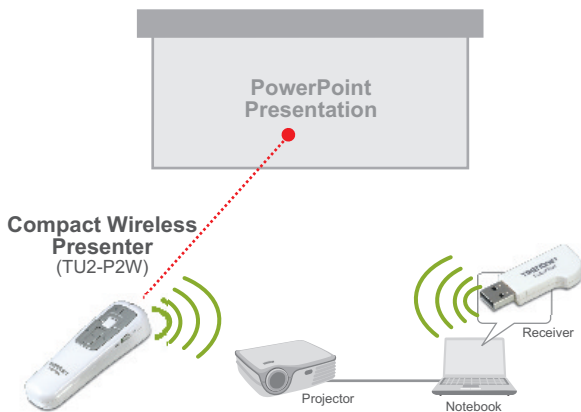
Conteúdo da Embalagem

- TU2-P2W(USB receiver included)
- 1 Pilha AAA 1.2V
- Guia de Instalação Rápida

Requisitos de Sistema

- CPU: 300MHz ou superior / 800MHz ou superior (Windows Vista)
- Memória: 256 MB RAM ou superior / 512 MB RAM ou superior (Windows Vista)
- Computador com slot USB 1.1 ou 2.0 disponível
- Windows 2000/XP(32-/64-bit)/Vista(32-/64-bit), Max OS X (10.3~10.5)
- PowerPoint 2003/2007, OpenOffice V2.4.0

Aplicação



AVISO: NÃO APONTE O APONTADOR LASER DIRETAMENTE PARA UMA PESSOA.

2. Como Instalar

1. Conecte o receptor USB a uma porta USB disponível em seu computador.



2. Os Drivers serão instalados automaticamente

3. Insira a pilha no apresentador.

4. Mova a chave de ligar para a posição **On**.

Sua instalação agora está completa

Para informações detalhadas sobre esta e outras configurações avançadas do TU-P2W favor recorrer ao website da TRENDnet em www.trendnet.com.

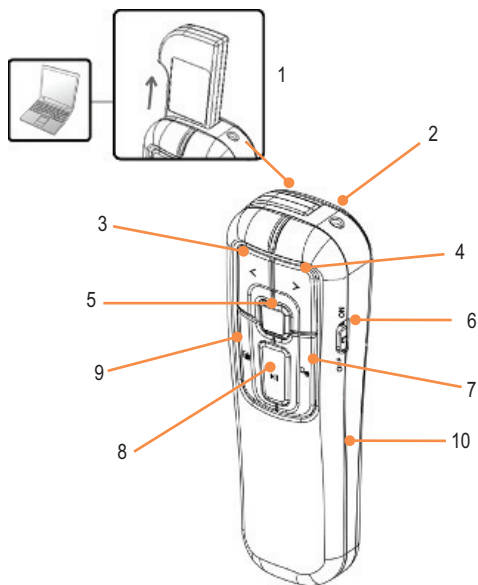
Registre Seu Produto

Para garantir o alto nível do service e suporte ao consumidor, por favor tire um minuto para registra seu produto Online em: www.TRENDnet.com/register
Agradecemos por ter escolhido TRENDnet

3. Funções do Produto

AVISO: NÃO APONTE O APONTADOR LASER DIRETAMENTE PARA UMA PESSOA.

NOTA: Nem todas as funções funcionarão em Mac (OpenOffice or Keynote).



Botão	Função
1	Slot para Armazenamento do Receptor USB
2	Raio Laser
3	Slide Anterior
4	Slide Seguinte
5	Apontador Laser
6	Chave Liga/Desliga
7	Tela Preta
8	Exibir/Sair Apresentação de Slide
9	Alt + Tab
10	Compartmento da Pilha

4. Especificações Técnicas

Frequência	2.4GHz
Padrão	USB 1.1/2.0
Sos Suportados	Windows 2000/XP/Vista
Distância Máxima	Até 30m (100 ft)
Alimentação	1 pilha AAA inclusa (1.2 V)
Consumo	Apresentador: 1.5V, 1.2mA Apresentador com apontador laser: 3V, 27mA Receptor: 5V, 30mA Apontador laser: 1mW
Dimensões	105 x 30 x 19.5mm (8.2x 1.2 x 0.7 in.)
Peso	120g (4.2 oz)
Temperatura	Operação: 10°C ~ 40°C (50°F ~ 104°F) Armazenagem: -10°C ~ 80°C (14°F ~ 176°F)
Umidade	5% ~ 90% (sem-condensação)
Certificação	FCC, CE

P1: O Windows não conseguiu reconhecer o receptor USB. O que devo fazer?

R1: Primeiro, certifique-se de que seu computador atende aos requisitos mínimos de sistema como especificado na seção 1 deste guia de instalação rápida. Segundo, conecte o receptor USB em uma outra porta USB de seu computador.

Q2: Todas as funções pararam de funcionar. O que devo fazer?

A2: Primeiro, verifique se a chave está na posição "on". Segundo, você deve estar a menos de 30 metros do computador. Terceiro, plugue o receptor USB em uma outra porta USB de seu computador. Quarto, a pilha pode estar fraca. Tente substituí-la.

Se você ainda encontrar problemas ou tiver alguma pergunta referente ao TU2-P2W, favor entrar em contato com o Departamento de Suporte Técnico da Trendnet.

Limited Warranty

TRENDnet warrants its products against defects in material and workmanship, under normal use and service, for the following lengths of time from the date of purchase.

TU2-P2W - 2-Year Warranty

If a product does not operate as warranted above during the applicable warranty period, TRENDnet shall, at its option and expense, repair the defective product or deliver to customer an equivalent product to replace the defective item. All products that are replaced will become the property of TRENDnet. Replacement products may be new or reconditioned.

TRENDnet shall not be responsible for any software, firmware, information, or memory data of customer contained in, stored on, or integrated with any products returned to TRENDnet pursuant to any warranty.

There are no user serviceable parts inside the product. Do not remove or attempt to service the product through any unauthorized service center. This warranty is voided if (i) the product has been modified or repaired by any unauthorized service center, (ii) the product was subject to accident, abuse, or improper use (iii) the product was subject to conditions more severe than those specified in the manual.

Warranty service may be obtained by contacting TRENDnet office within the applicable warranty period for a Return Material Authorization (RMA) number, accompanied by a copy of the dated proof of the purchase. Products returned to TRENDnet must be pre-authorized by TRENDnet with RMA number marked on the outside of the package, and sent prepaid, insured and packaged appropriately for safe shipment.

WARRANTIES EXCLUSIVE: IF THE TRENDNET PRODUCT DOES NOT OPERATE AS WARRANTED ABOVE, THE CUSTOMER'S SOLE REMEDY SHALL BE, AT TRENDNET'S OPTION, REPAIR OR REPLACEMENT. THE FOREGOING WARRANTIES AND REMEDIES ARE EXCLUSIVE AND ARE IN LIEU OF ALL OTHER WARRANTIES, EXPRESSED OR IMPLIED, EITHER IN FACT OR BY OPERATION OF LAW, STATUTORY OR OTHERWISE, INCLUDING WARRANTIES OF MERCHANTABILITY AND FITNESS FOR A PARTICULAR PURPOSE. TRENDNET NEITHER ASSUMES NOR AUTHORIZES ANY OTHER PERSON TO ASSUME FOR IT ANY OTHER LIABILITY IN CONNECTION WITH THE SALE, INSTALLATION, MAINTENANCE OR USE OF TRENDNET'S PRODUCTS.

TRENDNET SHALL NOT BE LIABLE UNDER THIS WARRANTY IF ITS TESTING AND EXAMINATION DISCLOSE THAT THE ALLEGED DEFECT IN THE PRODUCT DOES NOT EXIST OR WAS CAUSED BY CUSTOMER'S OR ANY THIRD PERSON'S MISUSE, NEGLIGENCE, IMPROPER INSTALLATION OR TESTING, UNAUTHORIZED ATTEMPTS TO REPAIR OR MODIFY, OR ANY OTHER CAUSE BEYOND THE RANGE OF THE INTENDED USE, OR BY ACCIDENT, FIRE, LIGHTNING, OR OTHER HAZARD.

LIMITATION OF LIABILITY: TO THE FULL EXTENT ALLOWED BY LAW TRENDNET ALSO EXCLUDES FOR ITSELF AND ITS SUPPLIERS ANY LIABILITY, WHETHER BASED IN CONTRACT OR TORT (INCLUDING NEGLIGENCE), FOR INCIDENTAL, CONSEQUENTIAL, INDIRECT, SPECIAL, OR PUNITIVE DAMAGES OF ANY KIND, OR FOR LOSS OF REVENUE OR PROFITS, LOSS OF BUSINESS, LOSS OF INFORMATION OR DATA, OR OTHER FINANCIAL LOSS ARISING OUT OF OR IN CONNECTION WITH THE SALE, INSTALLATION, MAINTENANCE, USE, PERFORMANCE, FAILURE, OR INTERRUPTION OF THE POSSIBILITY OF SUCH DAMAGES, AND LIMITS ITS LIABILITY TO REPAIR, REPLACEMENT, OR REFUND OF THE PURCHASE PRICE PAID, AT TRENDNET'S OPTION. THIS DISCLAIMER OF LIABILITY FOR DAMAGES WILL NOT BE AFFECTED IF ANY REMEDY PROVIDED HEREIN SHALL FAIL OF ITS ESSENTIAL PURPOSE.

Governing Law: This Limited Warranty shall be governed by the laws of the state of California.

Note: AC/DC Power Adapter, Cooling Fan, Cables and Power Supply carry 1-Year Warranty

Certifications

This equipment has been tested and found to comply with FCC and CE Rules.

Operation is subject to the following two conditions:

- (1) This device may not cause harmful interference.
- (2) This device must accept any interference received. Including interference that may cause undesired operation.



Waste electrical and electronic products must not be disposed of with household waste. Please recycle where facilities exist. Check with you Local Authority or Retailer for recycling advice.



NOTE: THE MANUFACTURER IS NOT RESPONSIBLE FOR ANY RADIO OR TV INTERFERENCE CAUSED BY UNAUTHORIZED MODIFICATIONS TO THIS EQUIPMENT. SUCH MODIFICATIONS COULD VOID THE USER'S AUTHORITY TO OPERATE THE EQUIPMENT.

ADVERTENCIA

En todos nuestros equipos se mencionan claramente las características del adaptador de alimentación necesario para su funcionamiento. El uso de un adaptador distinto al mencionado puede producir daños físicos y/o daños al equipo conectado. El adaptador de alimentación debe operar con voltaje y frecuencia de la energía eléctrica domiciliar existente en el país o zona de instalación.



TRENDnet[®]

Product Warranty Registration

Please take a moment to register your product online.
Go to TRENDnet's website at <http://www.trendnet.com/register>

TRENDnet[®]

20675 Manhattan Place
Torrance, CA 90501
USA