

TRENDnet®



Quick Installation Guide

TI-PG541 (V1)

Table of Contents

1 English

1. Before You Start
2. Quick Reference
3. Hardware Installation

1. Before You Start

Package Contents

- TI-PG541
- Quick Installation Guide
- Removable terminal block
- DIN-Rail mount

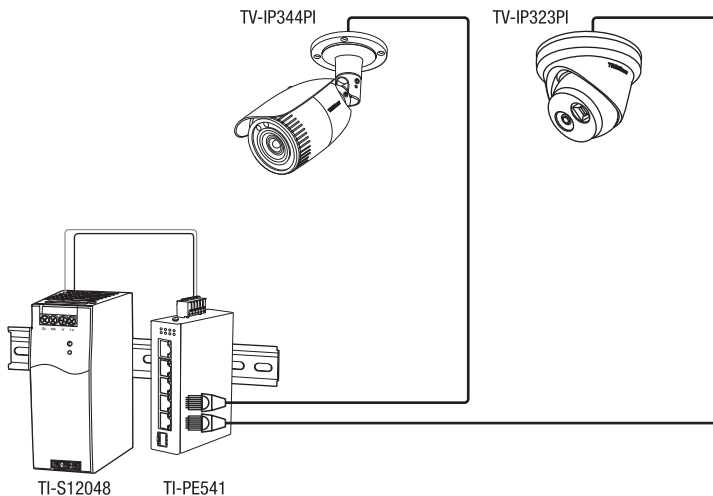
Minimum Requirements

- Existing network
- Power Supply

Optional Equipment

- DC power supply (model: TI-S12048 or TI-S24048)
- DC power adapter (model: 48VDC3000)

2. Quick Reference

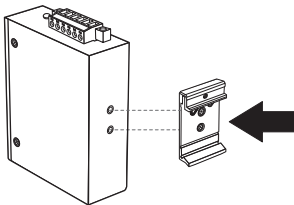


3. Hardware Installation

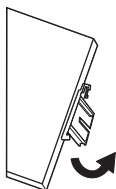
The TI-PG541 can be placed on a desktop or mounted to a DIN-rail.
Only attach the DIN-rail mount bracket when DIN-rail mounting is required.

DIN-Rail Mounting Instructions

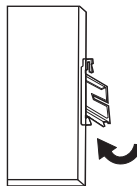
1. Attach the DIN-rail mount bracket to the switch.



2. Position the unit in front of the DIN-Rail and hook the mount bracket over the top of the rail.
3. Rotate the unit downward towards the rail to lock it into place. You will know it is secure when you hear the click.



Mounting the unit



Releasing the unit

4. To remove the unit, pull down to clear the bottom of the DIN-Rail and rotate up, away from the rail.

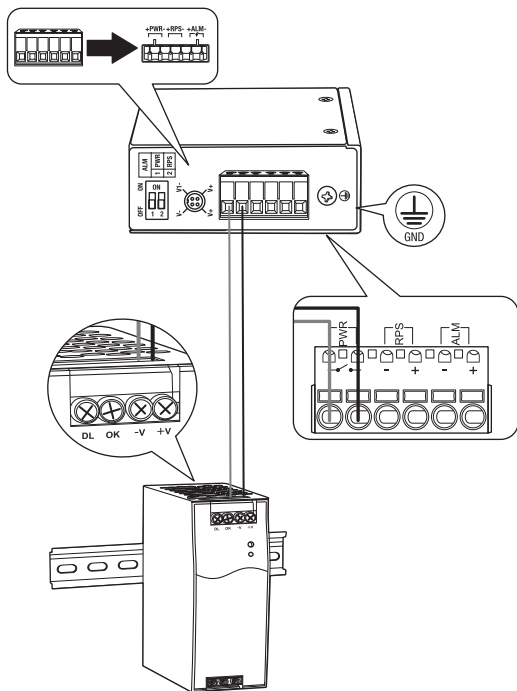
Applying Power

1. Connect the power supply (sold separately) to the included terminal block (as shown below) and secure with the screws.

Note: Polarities must match.

2. Attach the terminal block to the unit, connect the ground wire to the ground, and supply power to the power adapter.

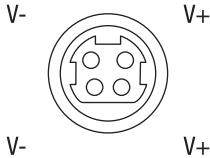
Note: The switch model and power supply may be different than the one shown in the example below. Terminal blocks may be 4-pin (dual power input only) or 6-pin (dual power input with alarm relay output) with differences in labeling.



3. Connect a network source and devices to the switch. Check the LEDs to confirm the connections are established. Your installation is completed.

Note: Please refer to the LED definition section on page 8-14 for reference to your switch model.

If available on your switch TI-PG541, the 4-pin DIN type connector can also be used as an additional power input (48VDC3000 power adapter sold separately).



Safety Note



- Turn off the power before connecting any module or wire. The correct power supply voltage is listed on the product label. Check the voltage of your power source to make sure that you are using the correct part. Do NOT use voltage greater than the maximum listed on the product label.
- Calculate the maximum possible current in each power wire and common wire. Observe all electrical codes dictating the maximum current allowable for each wire size. If the current surpasses the maximum ratings, the wiring could overheat, causing serious damage to your equipment.

LED Definition Reference

TI-PG541		
	Status	Description
PWR	Solid Green	Power is Connected
	Off	Power is Not Detected
RPS	Solid Green	Power is Detected
	Off	Power is Not Detected
ALM	Solid Red	Either PWR or RPS is disconnected (Based on DIP switch settings)
	Off	Both PWR and RPS are connected and powered, Dependent on DIP switch settings
LNK/ACT	Solid Green	Connected
	Flashing Green	Data Transmitting / Receiving
	Off	No Connection
1000M	Solid Green	Connected at 1000M
	Off	Connected at 10/100M
1000M SFP	Solid Green	Connected
	Flashing Green	Data Transmitting / Receiving
	Off	No Connection
POE+, 1, 2, 3, 4	Solid Green	PoE is connected
	Flashing Green	PoE is being detected
	Off	No PoE

DIP Switch Reference

DIP SWITCH 1	On	Enable ALM LED for PWR
	Off	Disable ALM LED For PWR
DIP SWITCH 2	On	Enable ALM LED for RPS
	Off	Disable ALM LED For RPS

Declaration of Conformity

TRENDNET[®]

Manufacturer's Name and Address

TRENDnet, Inc.
20675 Manhattan Place
Torrance, CA 90501 USA
Zwolsestraat 156 2587 WB
The Hague The Netherlands



Model Number: TI-PG541

Product Name: 5-Port Hardened Industrial Gigabit PoE+ DIN-Rail Switch

Trade Name: TRENDnet

TRENDnet hereby declare that the product is in compliance with the essential requirements and other relevant provisions under our sole responsibility.

EMC EN 55022: 2010 (Class A)
CISPR 22: 2008 (Ed 6.0)
AS/NZS CISPR 22: 2009 + A1 (2010)
EN 61000-3-2: 2006 + A1: 2009 + A2: 2009
EN 61000-3-3:2013
EN 55024: 2010

This product is herewith confirmed to comply with the Directives.

Directives: EMC Directive 2014/30/EU
RoHS 3 Directive 2015/863/EU
RoHS Directive 2011/65/EU
REACH Regulation (EC) No. 1907/2006
WEEE Directive 2012/19/EU

Person responsible for this declaration.

Place of Issue: Torrance, California, USA

Date: June 24, 2021

Name: Sonny Su

Title: VP of Technology

Signature:

A handwritten signature in black ink, appearing to read 'Sonny Su', is written over a horizontal line.



Declaration of Conformity

TRENDNET[®]

Manufacturer's Name and Address

TRENDnet, Inc.
20675 Manhattan Place
Torrance, CA 90501 USA

Authorized Representative:
Office: +44 (0) 1635 887 399
Unit 4 Rivermead Business Park,
Pipers Way, Thatcham, RG19 4EP
England



Model Number: TI-PG541

Product Name: 5-Port Hardened Industrial Gigabit PoE+ DIN-Rail Switch

Trade Name: TRENDnet

TRENDnet hereby declare that the product is in compliance with the essential requirements and other relevant provisions under our sole responsibility.

EMC EN 55022: 2010 (Class A)
CISPR 22: 2008 (Ed 6.0)
AS/NZS CISPR 22: 2009 + A1 (2010)
EN 61000-3-2: 2006 + A1: 2009 + A2: 2009
EN 61000-3-3:2013
EN 55024: 2010

This product is herewith confirmed to comply with the Directives.

Directives: Electromagnetic Compatibility Regulations 2016
The Restriction of the Use of Certain Hazardous Substances in Electrical and Electronic Equipment Regulations 2012
The REACH Enforcement Regulations 2008 (as amended)
The Waste Electrical and Electronic Equipment Regulations 2013 (as amended)

Person responsible for this declaration.

Place of Issue: Torrance, California, USA

Date: June 24, 2021

Name: Sonny Su

Title: VP of Technology

Signature:

A handwritten signature in black ink, appearing to read 'Sonny Su', written over a horizontal line.





Certifications

This device complies with Part 15 of the FCC Rules.

Operation is subject to the following two conditions:

- (1) This device may not cause harmful interference.
- (2) This device must accept any interference received.

Including interference that may cause undesired operation.



Waste electrical and electronic products must not be disposed of with household waste. Please recycle where facilities exist. Check with your Local Authority or Retailer for recycling advice.

Applies to PoE Products Only: This product is to be connected only to PoE networks without routing to the outside plant.

Note

The Manufacturer is not responsible for any radio or TV interference caused by unauthorized modifications to this equipment. Such modifications could void the user's authority to operate the equipment.

Advertencia

En todos nuestros equipos se mencionan claramente las características del adaptador de alimentación necesario para su funcionamiento. El uso de un adaptador distinto al mencionado puede producir daños físicos y/o daños al equipo conectado. El adaptador de alimentación debe operar con voltaje y frecuencia de la energía eléctrica domiciliar existente en el país o zona de instalación.

Technical Support

If you have any questions regarding the product installation, please contact our Technical Support.

Toll free US/Canada: **1-855-373-4741**

Regional phone numbers available at www.trendnet.com/support

TRENDnet

20675 Manhattan Place
Torrance, CA 90501
USA

Product Warranty Registration

Please take a moment to register your product online. Go to TRENDnet's website at: www.trendnet.com/register