

#### Limited Warranty

TRENDnet warrants its products against defects in material and workmanship, under normal use and service. Specific warranty periods are listed on each of the respective product pages on the TRENDnet website.

#### Garantie Limitée

TRENDnet garantit ses produits contre les problèmes de matériel ou de fabrication, dans des conditions normales d'utilisation et de service. Les périodes de garanties précises sont mentionnées sur chacun des pages produits du site web de TRENDnet.

#### Eingeschränkte Garantie

TRENDnet gewährt eine Garantie für seine Produkte im Falle von Material- und Bearbeitungsdefekten, bei normaler Verwendung und Wartung. Spezielle Garantiezeiträume werden auf jeder Produktseite auf der Website von TRENDnet genannt.

#### Garantía limitada

TRENDnet garantiza que sus productos carecen de defectos en el material y la fabricación, en condiciones de uso y funcionamiento normales. Los periodos específicos de garantía figuran en cada una de las páginas de producto del sitio web de TRENDnet.

#### Technical Support

If you have any questions regarding the product installation, please contact our Technical Support. Toll free US/Canada:

**1-866-845-3673**

Regional phone numbers available at [www.trendnet.com/support](http://www.trendnet.com/support)

#### TRENDnet

20675 Manhattan Place  
Torrance, CA 90501  
USA

#### Ограниченная гарантия

Компания TRENDnet предоставляет гарантию на свои изделия от дефектов материалов и сборки при нормальном использовании и обслуживании. Конкретные гарантийные сроки указаны на странице каждого продукта на сайте компании TRENDnet.

#### Garantia Limitada

A TRENDnet garante seus produtos contra defeitos de material e mão de obra sob condições normais de uso e serviço. Os períodos de garantia específicos estão listados em cada uma das páginas dos respectivos produtos no site da TRENDnet.

#### Piiratud garantii

TRENDneti garantii hõlmab materjali- ja koostamisdefekte, mis ilmnevad toote tavapärasel kasutamisel. Garantiiaja täpne pikkus konkretse toote puhul on leitav TRENDneti kodulehelt vastava toote infolehel.

#### Garanzia limitata

TRENDnet garantisce i propri prodotti da difetti di materiali e manodopera, in condizioni di normale uso ed esercizio. I periodi di garanzia specifici sono elencati sulle rispettive pagine di prodotto sul sito TRENDnet.

#### Product Warranty Registration

Please take a moment to register your product online.

Go to TRENDnet's website at: [www.trendnet.com/register](http://www.trendnet.com/register)



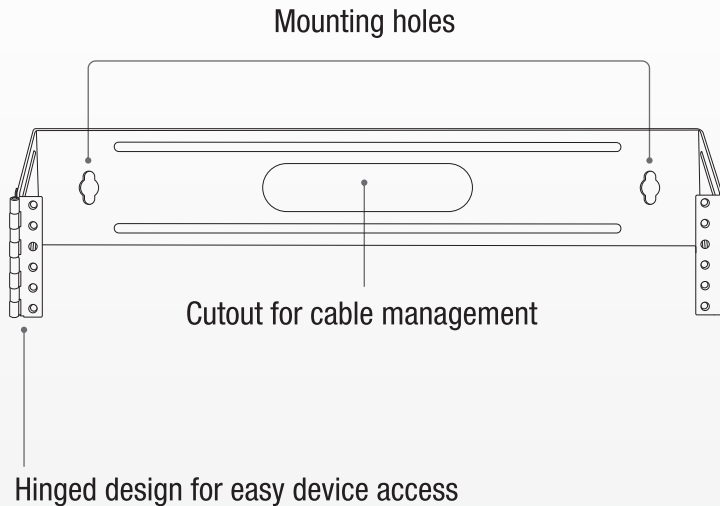
# TRENDnet<sup>®</sup>

## Quick Installation Guide

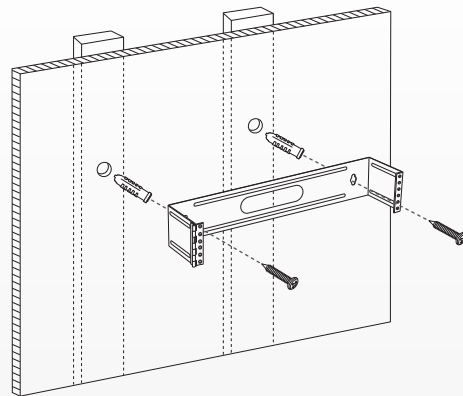
### 2U 19-inch Hinged Wall Mount Bracket

### TC-WP2U

## Hardware Overview



## Hardware Installation



1. In the desired mounting location, mark and drill two holes the same size as the provided plastic anchors.
2. Insert each anchor into the drilled holes until they are flush with the wall.
3. Use the provided screws to secure the bracket onto the wall.

**Note:** Mounting location can greatly affect the bracket's weight capacity. Using third party mounting hardware appropriate for your mounting environment can greatly increase bracket stability and weight capacity.